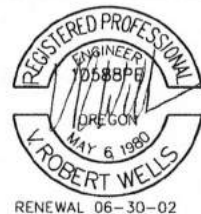


1000 GALLON SEPTIC TANK (H2O LOADING)



1000 GAL SEPTIC TANK
(H2O LOADING)
COVER SHEET

TANK CAPACITY	
RESERVE CAPACITY	180 GAL
LIQUID CAPACITY	1072 GAL
TOTAL VOLUME	1252 GAL
TANK:	21.2 GAL/PER INCH

GENERAL NOTES:

- THE SEPTIC TANK AS SHOWN COMPLIES WITH THE REQUIREMENTS OF THE STATE OF OREGON, DEPARTMENT OF ENVIRONMENTAL QUALITY, "ON-SITE SEWAGE DISPOSAL RULES" DATED APRIL 1, 1995.
- INLET AND OUTLET SEAL FOR EXTERIOR PIPING SHALL BE 4" SV4 NEOPRENE COLLAR CAST INTO CONCRETE CONFORMING TO ASTM C-564. BY TYLER.
- CONCRETE SHALL ATTAIN A MINIMUM 7- DAY COMPRESSIVE STRENGTH OF 3000 P.S.I. AND A 28- DAY COMPRESSIVE STRENGTH OF 5000 P.S.I. MINIMUM CEMENT CONTENT SHALL BE 7 SACKS PER CU. YD. MAXIMUM SLUMP 3 INCHES.
- REINFORCING BARS SHALL CONFORM TO ASTM A615 GRADE 40 ($f_y = 40,000$ P.S.I.). WELDED WIRE FABRIC (W.W.M.) SHALL BE ASTM A185.
- WALL REINFORCING SHALL BE AS NOTED ON PLANS. TOP AND BOTTOM REINFORCING SHALL BE AS INDICATED ON THE DRAWINGS. ADDITIONAL REINFORCING TO BE PROVIDED FOR TEMPERATURE/ SHRINKAGE CRACKING AND IMPACT/ HANDLING LOADS BY ADDING 1.5 LB. PER CU. YD. OF "FORTA FIBRE" SYNTHETIC FIBER REINFORCING.
- TANKS SHALL BE EQUIPPED WITH WATER TIGHT RISERS TO BRING ACCESS TO OR ABOVE FINISHED GRADE. 6" RISER INCREMENTS FROM 12" MINIMUM TO 36" MAXIMUM.
- GROUT SOLID ALL UNUSED KNOCKOUTS AND SEAL ALL TANK PENETRATIONS WITH CONSPEC ALL-PATCH CONCRETE PATCHING MORTAR BY CONSPEC MANUFACTURING INC.
- SEAL RISERS TO TANK TOP AND TANK SECTIONS AT FIELD JOINTS WITH 3/4" x 3/4" CONTINUOUS BUTYL CAULK. CON-SEAL CS101 OR EQUAL.
- TEST TANKS FOR WATERTIGHTNESS. AFTER TANKS ARE INSTALLED PLUG ALL INLETS AND OUTLETS AND TEST TANKS BY FILLING EACH TANK TO A MINIMUM OF TWO (2) INCHES ABOVE THE POINT OF THE RISER CONNECTION TO THE TANK. THERE SHALL BE NO MORE THAN ONE (1) GALLON OF LEAKAGE IN A 24 HOUR PERIOD.
- IN AREAS OF HIGH GROUND WATER THAT WILL CAUSE HYDROSTATIC UPLIFT OF THE TANK CONSTRUCT HYDROSTATIC UPLIFT HOLD DOWN AROUND TANK. SEE DETAIL.

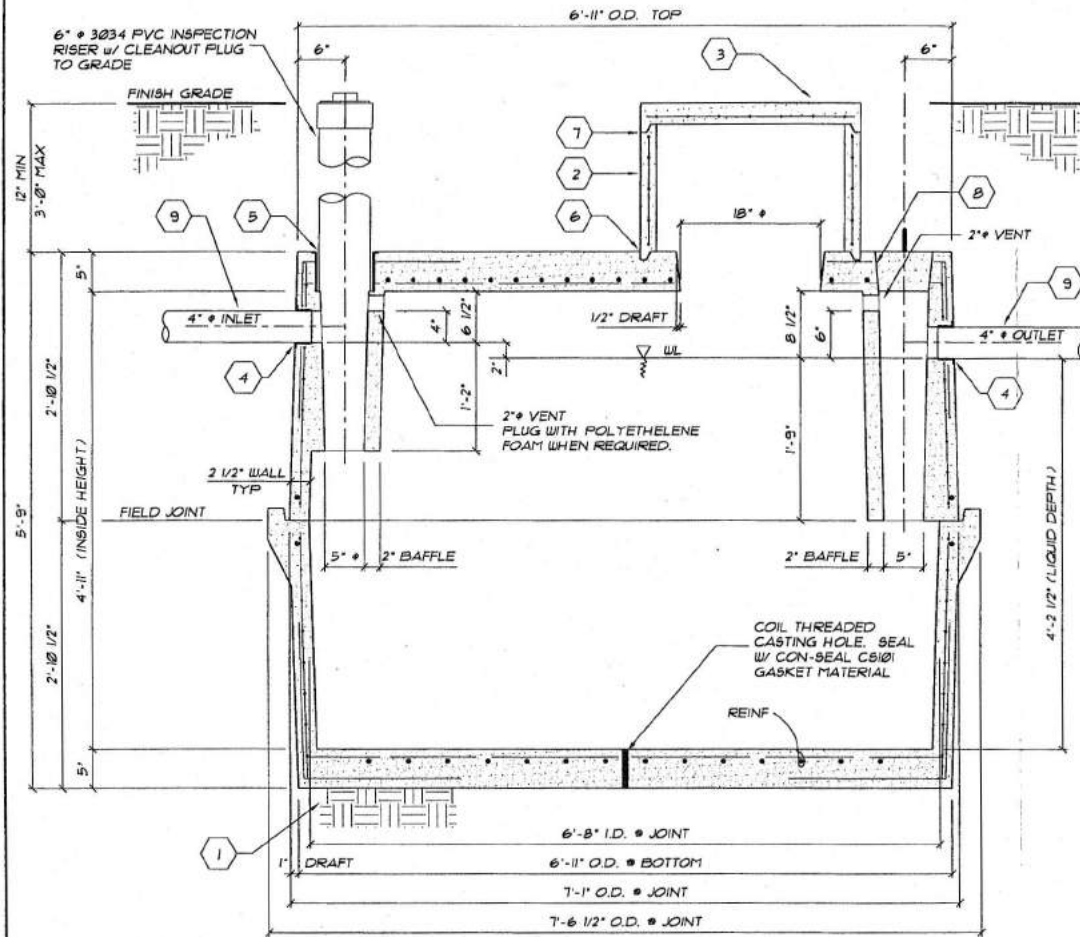
MICHAELS'
PRECAST CONCRETE
BORING, OREGON
35175 S.E. HWY 211
(503) 668-4073

RECEIVED
JAN 04 2002

DATE 11/01/01
PROJECT 01-235
DRAWN RW
CHECKED
SHEET NUMBER

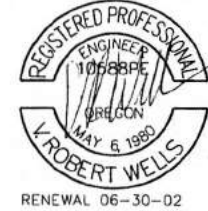
RECEIVED JAN 28 2002

1



TANK SECTION

3/4" = 1'-0"



- 1 TANK TO BE PLACED ON LEVEL NATIVE MATERIAL WITH NO PROTRUDING ROCKS. OPTIONAL 2" SAND LEVELING COURSE OR 4" OF 3/4"-Ø COMPACTED ROCK LEVELING CORSE.
- 2 REINFORCED CONCRETE RISER. 6" RISER INCREMENTS FROM 12" MIN TO 36" MAX.
- 3 REINFORCED CONCRETE LID.
- 4 4" TYLER 5V4 NEOPRENE (ASTM C-564) COLLAR CAST INTO CONCRETE.
- 5 6" TYLER 5V6 NEOPRENE (ASTM C-564) COLLAR CAST INTO CONCRETE.
- 6 SEAL RISER TO TANK WITH 3/4" x 3/4" CONTINUOUS BUTYL CAULK AROUND EACH. CON-SEAL CS101 OR EQUAL.
- 7 SEAL LID TO RISER WITH 1/4" THICK EXPANDED POLYETHYLENE STRIP AROUND.
- 8 SEAL CONCRETE PLUG OVER OUTLET TO TANK WITH 3/4" x 3/4" CONTINUOUS BUTYL CAULK AROUND. CON-SEAL CS101 OR EQUAL.
- 9 USE 4" PVC SCHEDULE 40 INLET AND OUTLET PIPE WITHIN TANK EXCAVATION LIMITS.

1000 GAL SEPTIC TANK
(H2O LOADING)
SECTIONS

MICHAELS' PRECAST CONCRETE
BORING, OREGON
35175 S.E. HWY 211
(503) 668-4073

REGISTERED PROFESSIONAL ENGINEER
V. ROBERT WELLS
MAY 6 1989
OREGON
RENEWAL 06-30-02

DATE	11/01/01
PROJECT	01-235
DRAWN	RW
CHECKED	
SHEET NUMBER	2

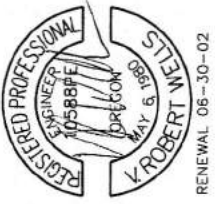
**1000 GAL SEPTIC TANK
(H2O LOADING)
COVER PLAN**

BORING, OREGON

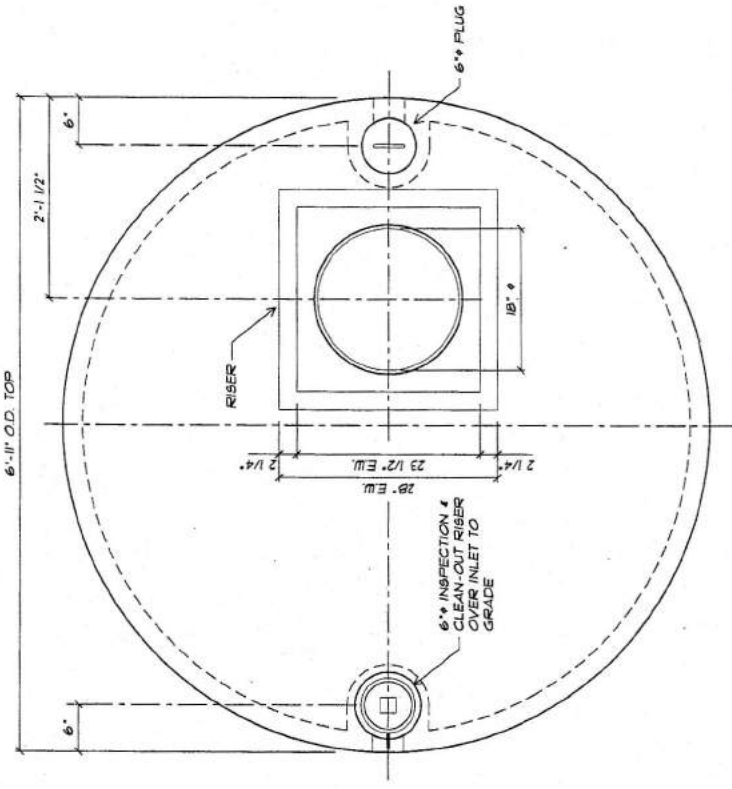
MICHAELS'
PRECAST CONCRETE

35175 S.E. HWY 211
(503) 668-4073

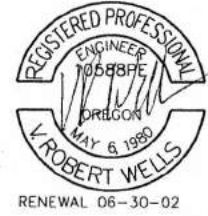
DATE	11/01/01
PROJECT	01-235
DRAWN BY	RW
CHECKED	
SHEET NUMBER	3



RECEIVED
MAY 14 1999
Municipal Engineering Dept.

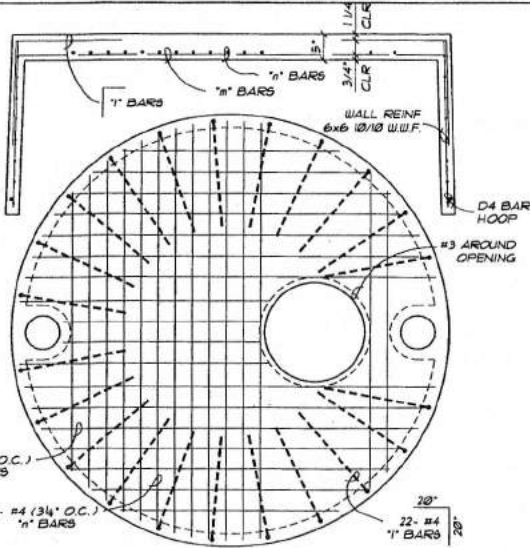


COVER PLAN
3/4" = 1'-0"



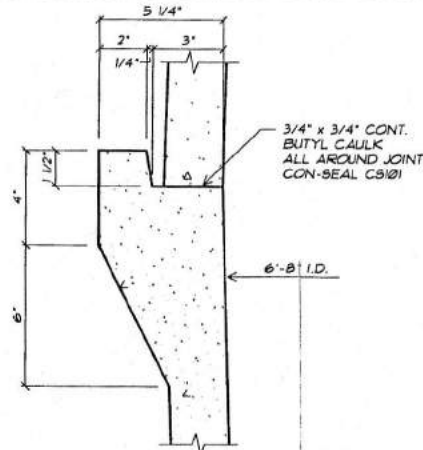
**1000 GAL SEPTIC TANK
(H2O LOADING)
DETAILS**

MICHAELS' PRECAST CONCRETE
BORING, OREGON
35175 S.E. HWY 211
(503) 668-4073



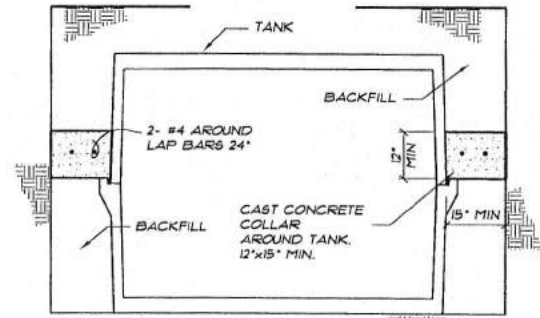
COVER REINFORCING

NTS



FIELD JOINT DETAIL

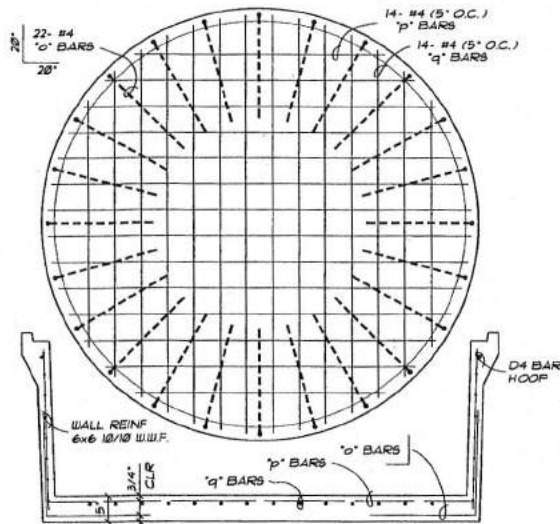
NTS



IN AREAS WHERE HIGH GROUND WATER OCCURS CONSTRUCT CONCRETE HOLD DOWN COLLAR AROUND TANK.

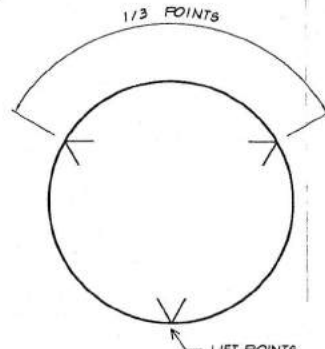
HYDROSTATIC UPLIFT HOLD DOWN

NTS



BOTTOM REINFORCING

NTS



TANK LIFT POINTS

REVISIONS
DATE BY
APPROVED BY
Dept. of Environmental Services

DATE	11/01/01
PROJECT	01-235
DRAWN	RW
CHECKED	
SHEET NUMBER	