

# 1500 GALLON SEPTIC TANK ( H2O LOADING )



TANK CAPACITY	
RESERVE CAPACITY	191 GAL
LIQUID CAPACITY	1528 GAL
TOTAL VOLUME	1719 GAL
TANK:	21.2 GAL/PER INCH

## GENERAL NOTES:

1. THE SEPTIC TANK AS SHOWN COMPLIES WITH THE REQUIREMENTS OF THE STATE OF OREGON, DEPARTMENT OF ENVIRONMENTAL QUALITY, "ON-SITE SEWAGE DISPOSAL RULES" DATED APRIL 1, 1995.
2. INLET AND OUTLET SEAL FOR EXTERIOR PIPING SHALL BE 4" SV4 NEOPRENE COLLAR CAST INTO CONCRETE CONFORMING TO ASTM C-564. BY TYLER.
3. CONCRETE SHALL ATTAIN A MINIMUM 7- DAY COMPRESSIVE STRENGTH OF 3000 P.S.I. AND A 28- DAY COMPRESSIVE STRENGTH OF 5000 P.S.I. MINIMUM CEMENT CONTENT SHALL BE 7 SACKS PER CU. YD. MAXIMUM SLUMP 3 INCHES.
4. REINFORCING BARS SHALL CONFORM TO ASTM A615 GRADE 40 ( $f_y = 40,000$  P.S.I.), WELDED WIRE FABRIC (W.W.M.) SHALL BE ASTM A185.
5. WALL REINFORCING SHALL BE AS NOTED ON PLANS. TOP AND BOTTOM REINFORCING SHALL BE AS INDICATED ON THE DRAWINGS. ADDITIONAL REINFORCING TO BE PROVIDED FOR TEMPERATURE/ SHRINKAGE CRACKING AND IMPACT/ HANDLING LOADS BY ADDING 1.6 LB. PER CU. YD. OF "FORTA FIBRE" SYNTHETIC FIBER REINFORCING.
6. TANKS SHALL BE EQUIPED WITH WATER TIGHT RISERS TO BRING ACCESS TO OR ABOVE FINISHED GRADE. 6" RISER INCREMENTS FROM 12" MINIMUM TO 36" MAXIMUM.
7. GROUT SOLID ALL UNUSED KNOCKOUTS AND SEAL ALL TANK PENETRATIONS WITH CONSPEC ALL-PATCH CONCRETE PATCHING MORTAR BY CONSPEC MANUFACTURING INC.
8. SEAL RISERS TO TANK TOP AND TANK SECTIONS AT FIELD JOINTS WITH 3/4" x 3/4" CONTINUOUS BUTYL CAULK. CON-SEAL CS101 OR EQUAL.
9. TEST TANKS FOR WATERTIGHTNESS. AFTER TANKS ARE INSTALLED PLUG ALL INLETS AND OUTLETS AND TEST TANKS BY FILLING EACH TANK TO A MINIMUM OF TWO (2) INCHES ABOVE THE POINT OF THE RISER CONNECTION TO THE TANK. THERE SHALL BE NO MORE THAN ONE (1) GALLON OF LEAKAGE IN A 24 HOUR PERIOD.
10. IN AREAS OF HIGH GROUND WATER THAT WILL CAUSE HYDROSTATIC UPLIFT OF THE TANK CONSTRUCT HYDROSTATIC UPLIFT HOLD DOWN AROUND TANK. SEE DETAIL.

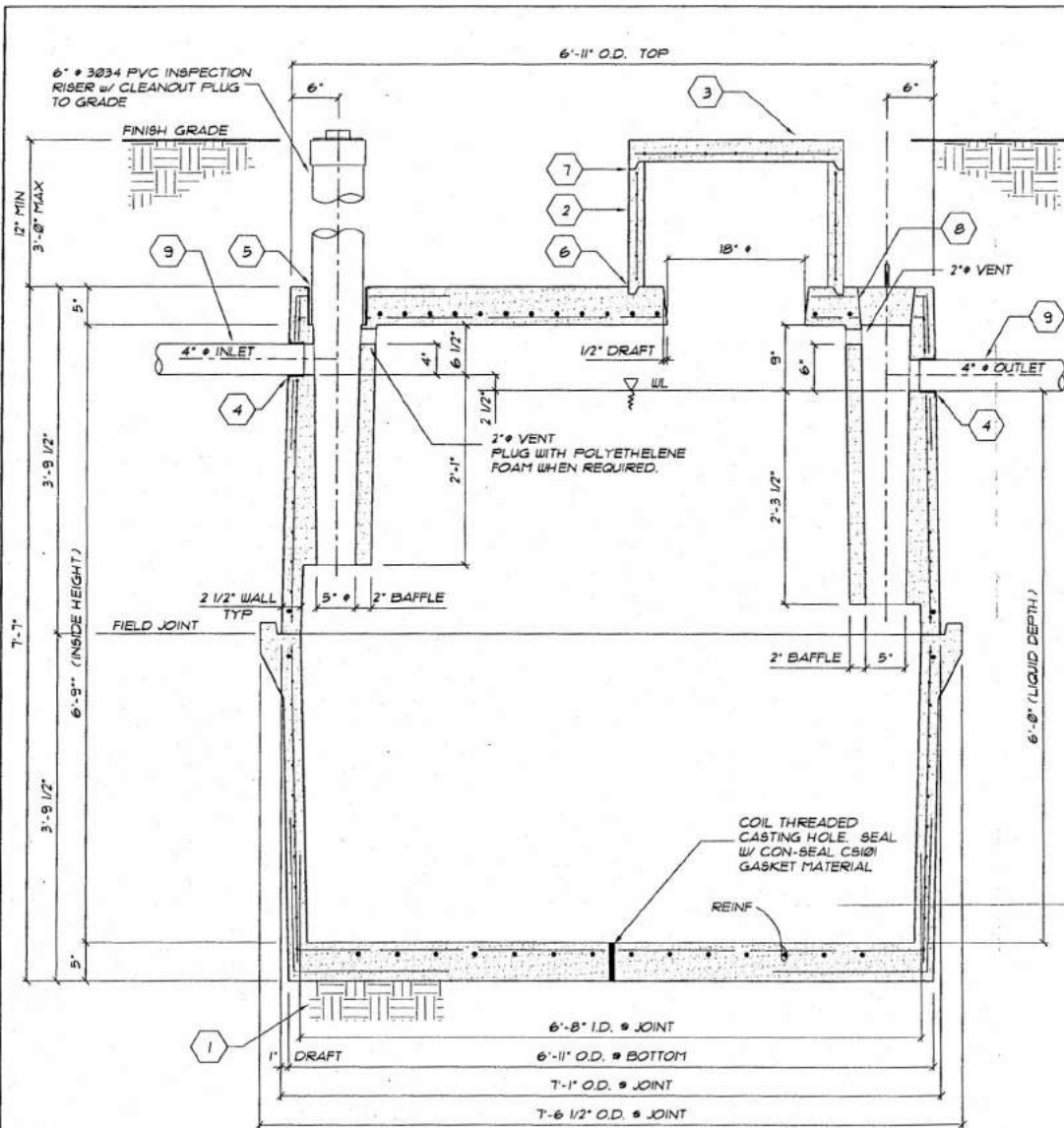


1500 GAL SEPTIC TANK  
( H2O LOADING )  
COVER SHEET

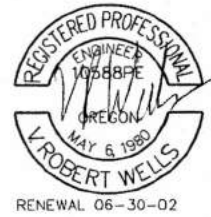
MICHAELS'  
PRECAST CONCRETE  
BORING, OREGON  
35175 S.E. HWY 211  
(503) 668-4075

DATE	11/01/01
PROJECT	01-235
DRAWN	RW
CHECKED	
SHEET NUMBER	1

RECEIVED JAN 28 2002



**TANK SECTION**  
3/4" = 1'-0"



RENEWAL 06-30-02

- 1 TANK TO BE PLACED ON LEVEL NATIVE MATERIAL WITH NO PROTRUDING ROCKS. OPTIONAL 2" SAND LEVELING COURSE OR 4" OF 3/4"-Ø COMPACTED ROCK LEVELING COURSE.
- 2 REINFORCED CONCRETE RISER. 6" RISER INCREMENTS FROM 12" MIN TO 36" MAX.
- 3 REINFORCED CONCRETE LID.
- 4 4" TYLER SV4 NEOPRENE (ASTM C-564) COLLAR CAST INTO CONCRETE.
- 5 6" TYLER SV6 NEOPRENE (ASTM C-564) COLLAR CAST INTO CONCRETE.
- 6 SEAL RISER TO TANK WITH 3/4" x 3/4" CONTINUOUS BUTYL CAULK AROUND EACH. CON-SEAL CS101 OR EQUAL.
- 7 SEAL LID TO RISER WITH 1/4" THICK EXPANDED POLYETHYLENE STRIP AROUND.
- 8 SEAL CONCRETE PLUG OVER OUTLET TO TANK WITH 3/4" x 3/4" CONTINUOUS BUTYL CAULK AROUND. CON-SEAL CS101 OR EQUAL.
- 9 USE 4" PVC SCHEDULE 40 INLET AND OUTLET PIPE WITHIN TANK EXCAVATION LIMITS.

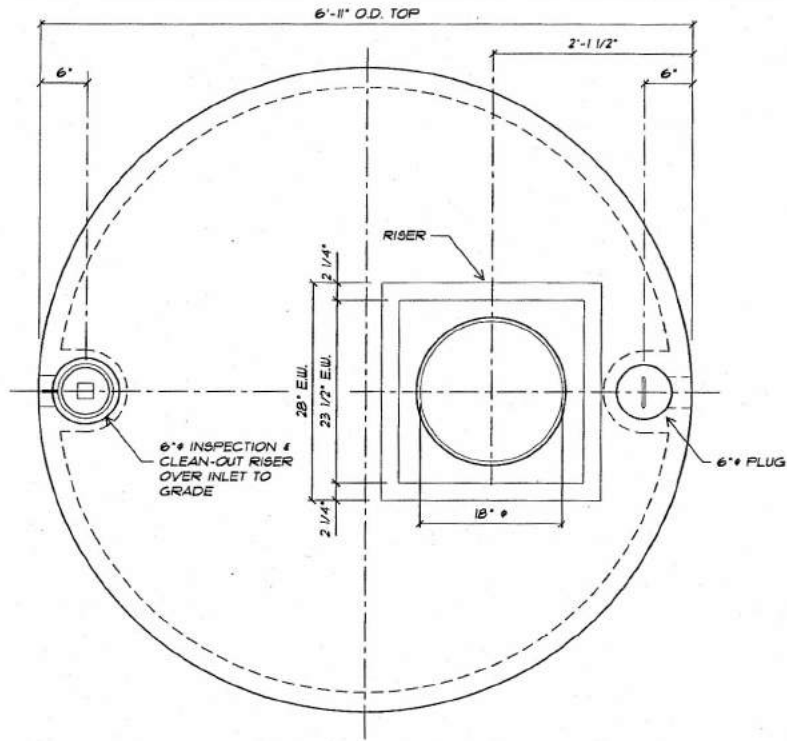
**1500 GAL SEPTIC TANK  
( H2O LOADING )  
SECTIONS**

**MICHAELS'**  
PRECAST CONCRETE  
BORING, OREGON  
35175 S.E. HWY 211  
(503) 668-4073

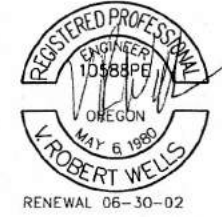
RECEIVED  
JAN 04 2002

Walter O'Reilly  
Dept. of Transportation

DATE 11/01/01  
PROJECT 01-235  
DRAWN RW  
CHECKED  
SHEET NUMBER  
**2**



**COVER PLAN**  
3/4" = 1'-0"

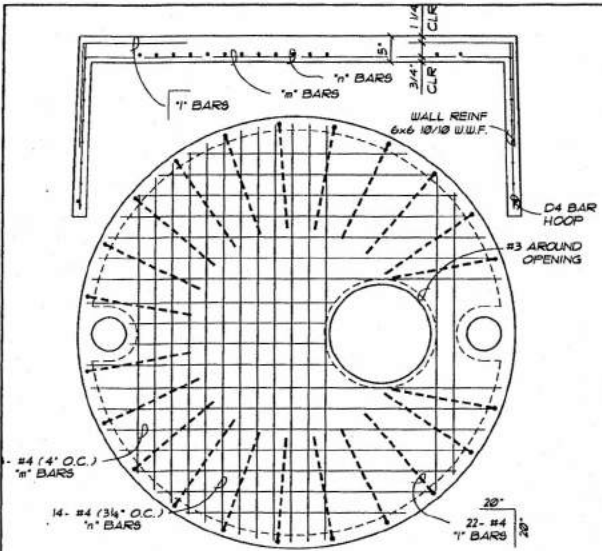


**MICHAELS'**  
PRECAST CONCRETE  
BORING, OREGON  
35175 S.E. HWY 211  
(503) 668-4073

**1500 GAL SEPTIC TANK  
( H2O LOADING )  
COVER PLAN**

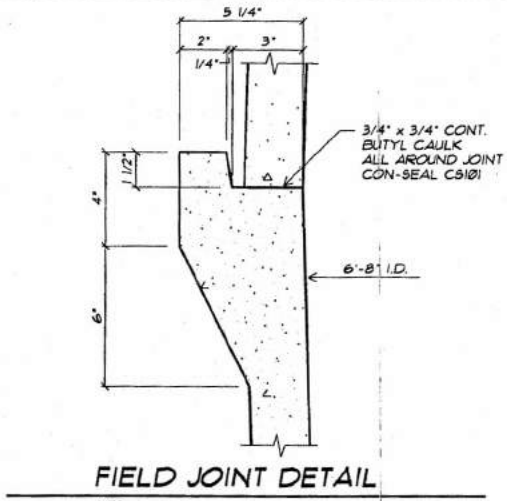
**RECEIVED**  
JAN 04 2002  
Water Quality Division  
Dept. of Environmental Quality

DATE	11/01/01
PROJECT	01-235
DRAWN	RW
CHECKED	
SHEET NUMBER	3



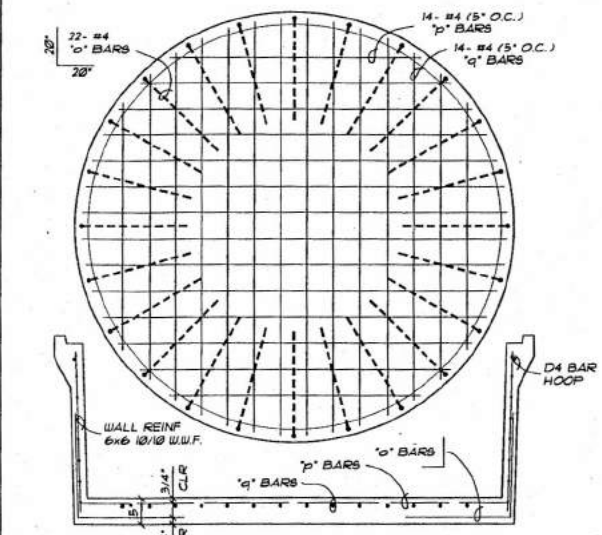
**COVER REINFORCING**

NTS



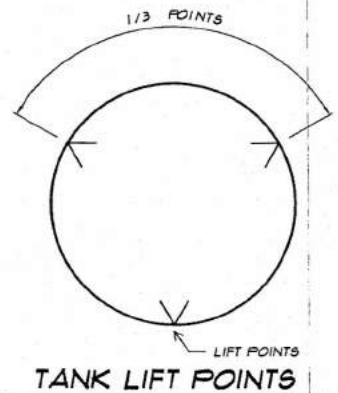
**FIELD JOINT DETAIL**

NTS

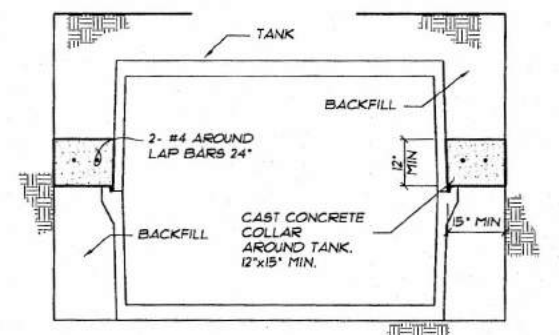
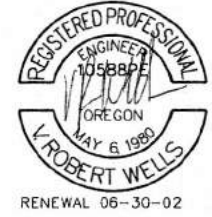


**BOTTOM REINFORCING**

NTS



**TANK LIFT POINTS**



IN AREAS WHERE HIGH GROUND WATER OCCURS CONSTRUCT CONCRETE HOLD DOWN COLLAR AROUND TANK.

**HYDROSTATIC UPLIFT HOLD DOWN**

NTS

**1500 GAL SEPTIC TANK  
( H2O LOADING )  
DETAILS**

**MICHAELS'**  
PRECAST CONCRETE  
BORING, OREGON

35175 S.E. HWY 211  
(503) 668-4073

**RECEIVED**  
JAN 04 2002  
Water Utility Division  
Dept. of Public Works

DATE	11/01/01
PROJECT	01-235
DRAWN	RW
CHECKED	
SHEET NUMBER	<b>4</b>