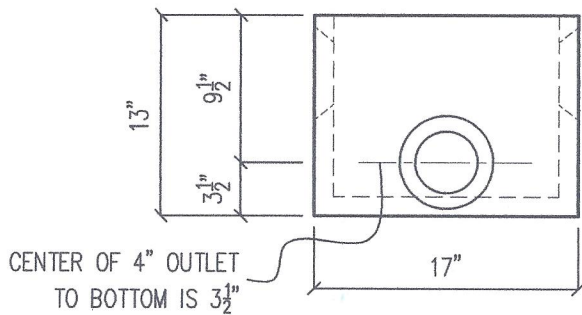
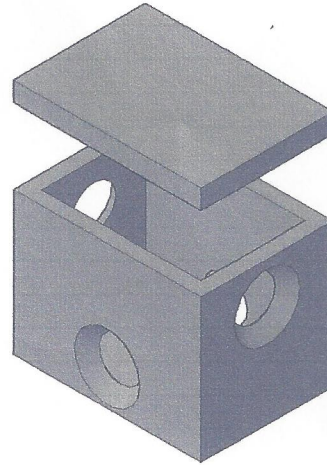
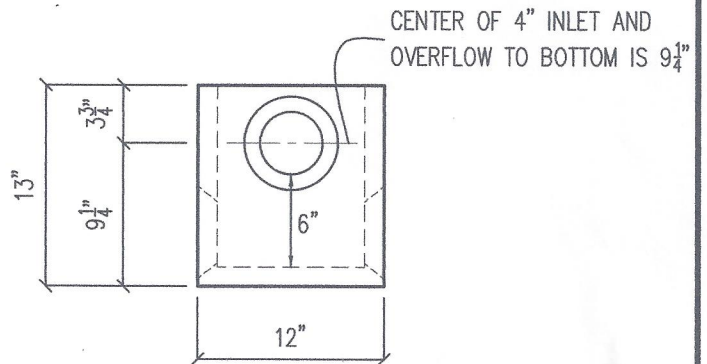


TOP VIEW



SIDE VIEW



SIDE VIEW

BOX WEIGHT = 90 LBS EACH
LID WEIGHT = 32 LBS EACH

Michaels
PRECAST CONCRETE

35175 SE HWY 211
BORING, OREGON 97009
PHONE: 503-668-4073
FAX: 503-668-7522
WWW.MICHAELSPRECAST.COM

4 HOLE DROP BOX
W/ POLY LOCK PIPE SEAL

DRAWN: 1/5/12

REV: