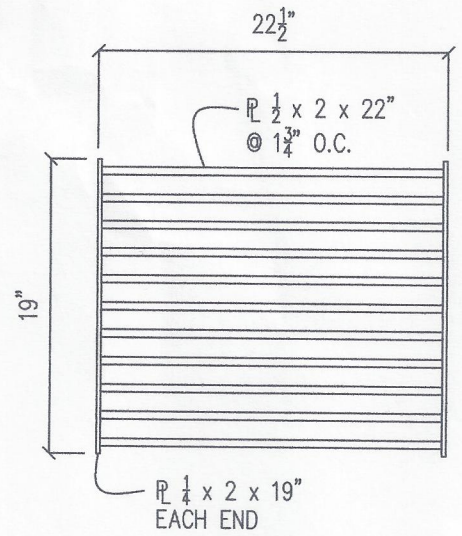
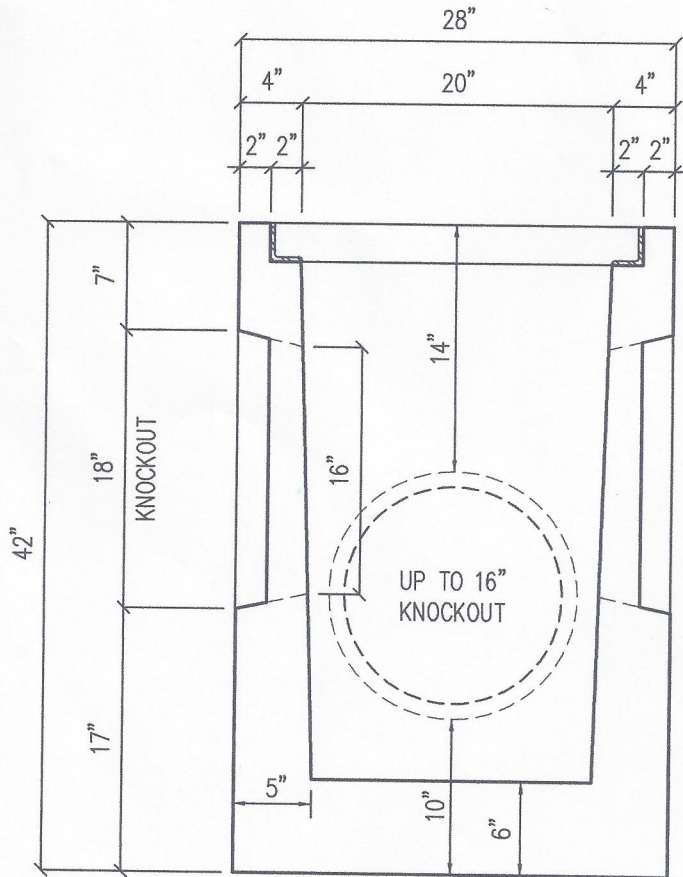


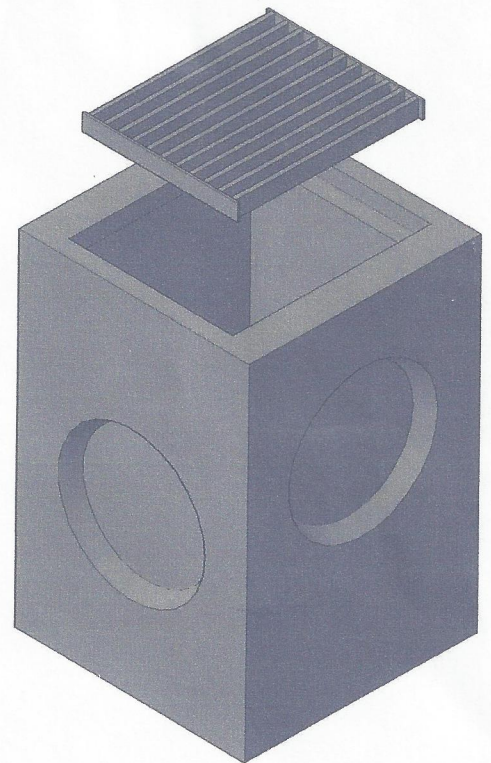
TOP VIEW



GRATE VIEW



SECTION A-A



CONCRETE WEIGHT = 1400 LBS

Michaels
PRECAST CONCRETE

35175 SE HWY 211
BORING, OREGON 97009
PHONE: 503-668-4073
FAX: 503-668-7522
WWW.MICHAELSPRECAST.COM

CATCH BASIN
W/ (4) KNOCKOUTS

DRAWN: 1/5/12

REV: