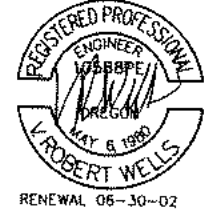


1500 GALLON DOSING SEPTIC TANK



1500 GAL
DOSING SEPTIC TANK
COVER SHEET

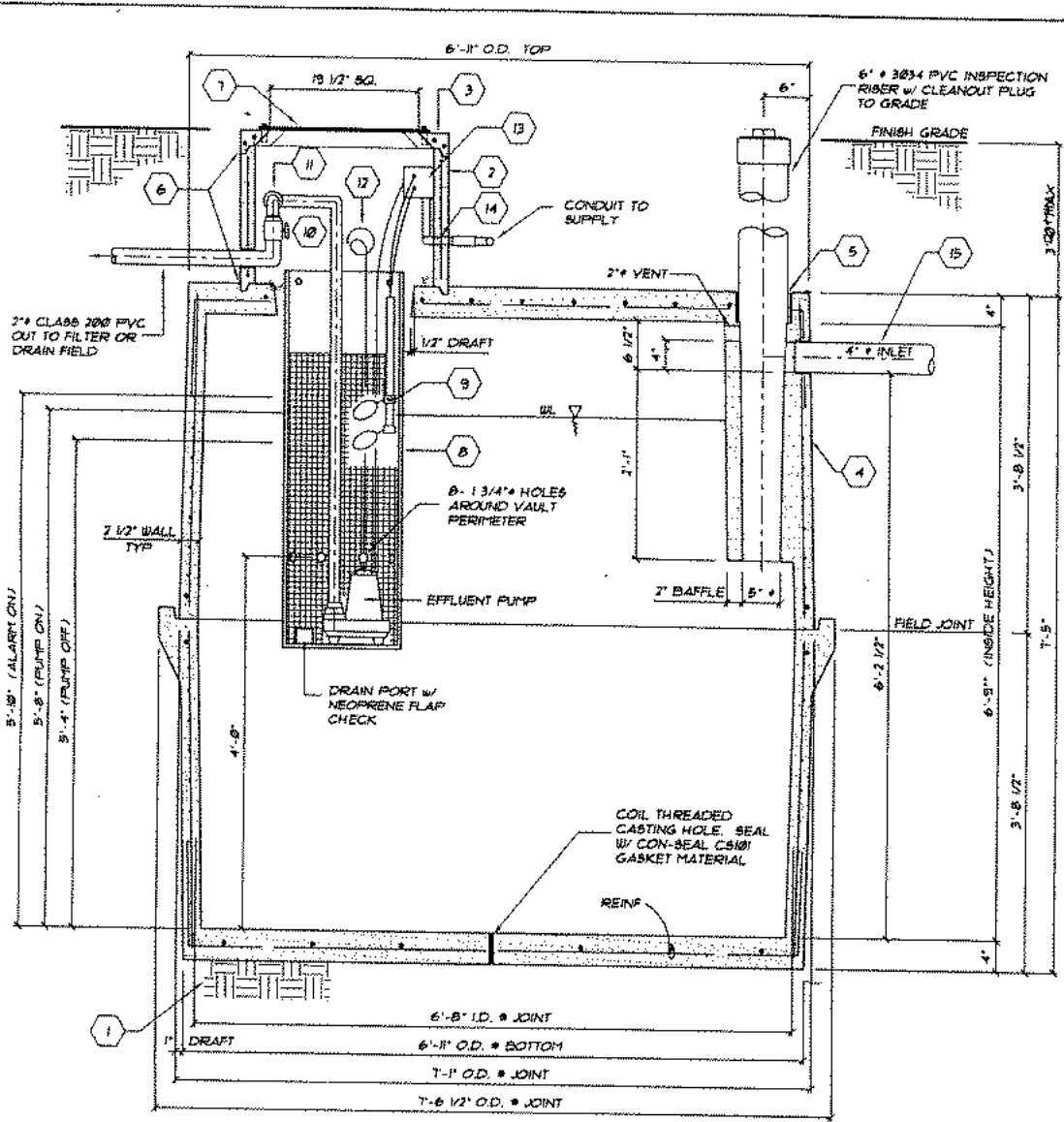
TANK CAPACITY	
RESERVE CAPACITY	191 GAL
LIQUID CAPACITY	1528 GAL
TOTAL VOLUME	1719 GAL
TANK:	21.2 GAL/PER INCH

GENERAL NOTES:

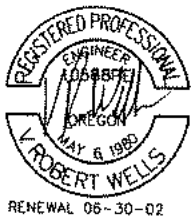
1. THE SEPTIC TANK AS SHOWN COMPLIES WITH THE REQUIREMENTS OF THE STATE OF OREGON, DEPARTMENT OF ENVIRONMENTAL QUALITY, "ON-SITE SEWAGE DISPOSAL RULES" DATED APRIL 1, 1995.
2. INLET AND OUTLET SEAL FOR EXTERIOR PIPING SHALL BE 4" SV4 NEOPRENE COLLAR CAST INTO CONCRETE CONFORMING TO ASTM C-564. BY TYLER.
3. CONCRETE SHALL ATTAIN A MINIMUM 7- DAY COMPRESSIVE STRENGTH OF 3000 P.S.I. AND A 28- DAY COMPRESSIVE STRENGTH OF 5000 P.S.I. MINIMUM CEMENT CONTENT SHALL BE 7 SACKS PER CU. YD. MAXIMUM SLUMP 3 INCHES.
4. REINFORCING BARS SHALL CONFORM TO ASTM A615 GRADE 40 ($f_y = 40,000$ P.S.I.). WELDED WIRE FABRIC (W.W.M.) SHALL BE ASTM A185.
5. WALL REINFORCING SHALL BE AS NOTED ON PLANS. TOP AND BOTTOM REINFORCING SHALL BE AS INDICATED ON THE DRAWINGS. ADDITIONAL REINFORCING TO BE PROVIDED FOR TEMPERATURE/ SHRINKAGE CRACKING AND IMPACT/ HANDLING LOADS BY ADDING 1.6 LB. PER CU. YD. OF "FORTA FIBRE" SYNTHETIC FIBER REINFORCING.
6. TANKS SHALL BE EQUIPED WITH WATER TIGHT RISERS TO BRING ACCESS TO OR ABOVE FINISHED GRADE. 6" RISER INCREMENTS FROM 12" MINIMUM TO 36" MAXIMUM.
7. GROUT SOLID ALL UNUSED KNOCKOUTS AND SEAL ALL TANK PENETRATIONS WITH CONSPEC ALL-PATCH CONCRETE PATCHING MORTAR BY CONSPEC MANUFACTURING INC.
8. SEAL RISERS TO TANK TOP, RISER CAPS TO RISERS AND TANK SECTIONS AT FIELD JOINTS WITH 3/4" x 3/4" CONTINUOUS BUTYL CAULK. CON-SEAL CS101 OR EQUAL.
9. TEST TANKS FOR WATERTIGHTNESS. AFTER TANKS ARE INSTALLED PLUG ALL INLETS AND OUTLETS AND TEST TANKS BY FILLING EACH TANK TO A MINIMUM OF TWO (2) INCHES ABOVE THE POINT OF THE RISER CONNECTION TO THE TANK. THERE SHALL BE NO MORE THAN ONE (1) GALLON OF LEAKAGE IN A 24 HOUR PERIOD.
10. IN AREAS OF HIGH GROUND WATER THAT WILL CAUSE HYDROSTATIC UPLIFT OF THE TANK CONSTRUCT HYDROSTATIC UPLIFT HOLD DOWN AROUND TANK. SEE DETAIL.

MICHAELS'
PRECAST CONCRETE
BORING, OREGON
35175 S.E. HWY 211
(503) 686-4073

DATE	11/01/01
PROJECT	01-235
DRAWN	RW
CHECKED	
SHEET NUMBER	1



TANK SECTION
3/4" = 1'-0"

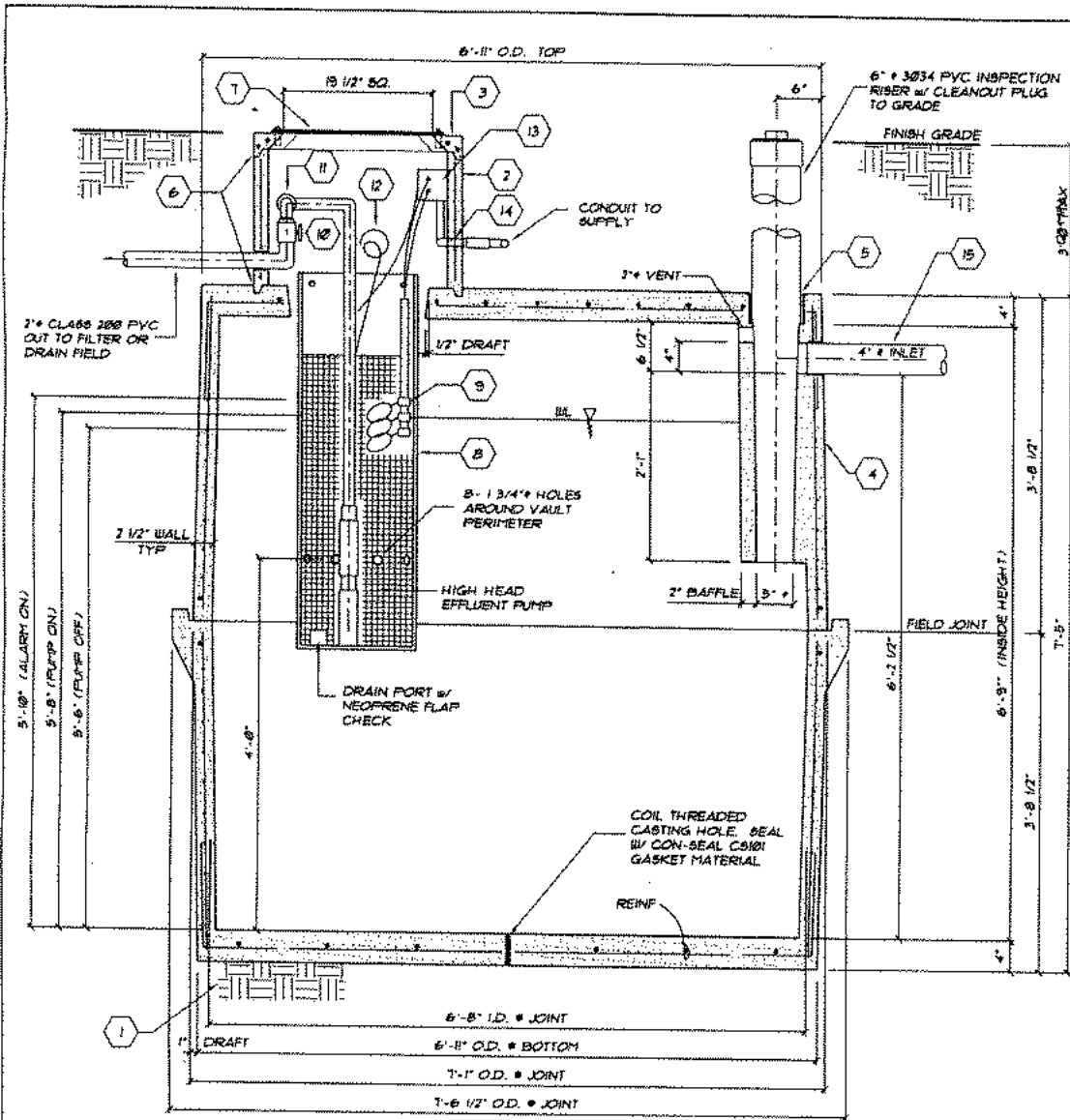


- 1 TANK TO BE PLACED ON LEVEL NATIVE MATERIAL WITH NO PROTRUDING ROCKS. OPTIONAL 2" SAND LEVELING COURSE OR 4" OF 3/4"-8 COMPACTED ROCK LEVELING COURSE.
- 2 REINFORCED CONCRETE RISER AND LID CAP. 6" RISER INCREMENTS FROM 12" MIN TO 36" MAX.
- 3 1/4" STEEL LID WITH METAL PRIMER. SEE DETAIL. ATTACH TO CONCRETE RISER CAP WITH 4 - 1/4" x 5.8. BOLTS IN THREADED PLASTIC CONCRETE INSERTS BY CONNECTING SYSTEMS, INC.
- 4 4" TYLER 5V4 NEOPRENE (ASTM C-564) COLLAR CAST INTO CONCRETE.
- 5 6" TYLER 5V6 NEOPRENE (ASTM C-564) COLLAR CAST INTO CONCRETE.
- 6 SEAL RISER TO TANK AND RISER CAP TO RISER WITH 3/4" x 3/4" CONTINUOUS BUTYL CAULK AROUND EACH. CON-SEAL CS801 OR EQUAL.
- 7 LID SEAL. 5/16" THICK SPONGE WEATHERSTRIP WITH ADHESIVE BY AUVECO. WEATHERSTRIP SHEET TO COVER COMPLETE UNDERSIDE OF STEEL LID.
- 8 ORENCO SCREENED PVC VAULT 5V154B WITH POLYETHYLENE SCREEN BY ORENCO SYSTEMS, INC. OR APPROVED ALTERNATE.
- 9 LEVEL CONTROL FLOAT ASSEMBLY.
- 10 2" GATE VALVE.
- 11 2" PVC UNION.
- 12 NYLON ROPE FOR PUMP REMOVAL.
- 13 WATERTIGHT ELECTRICAL CONNECTION BOX.
- 14 SEAL ELECTRICAL CONDUIT AND PRESSURE PIPE PENETRATIONS TO RISER WITH CONSPEC ALL-PATCH CONCRETE PATCHING MORTAR BY CONSPEC MANUFACTURING INC.
- 15 USE 4" PVC SCHEDULE 40 INLET PIPE WITHIN TANK EXCAVATION LIMITS.

1500 GAL
DOSING SEPTIC TANK
SECTIONS

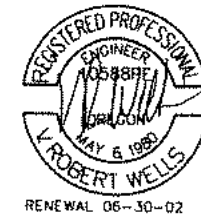
MICHAELS' PRECAST CONCRETE BORING, OREGON
35175 S.E. HWY 211 (503) 868-4073

REV	11/01/01
PROJECT	01-235
DATE	RW
CHECKED	
SHEET NUMBER	
2	



TANK SECTION (FOR SAND FILTER)

3/4" = 1'-0"

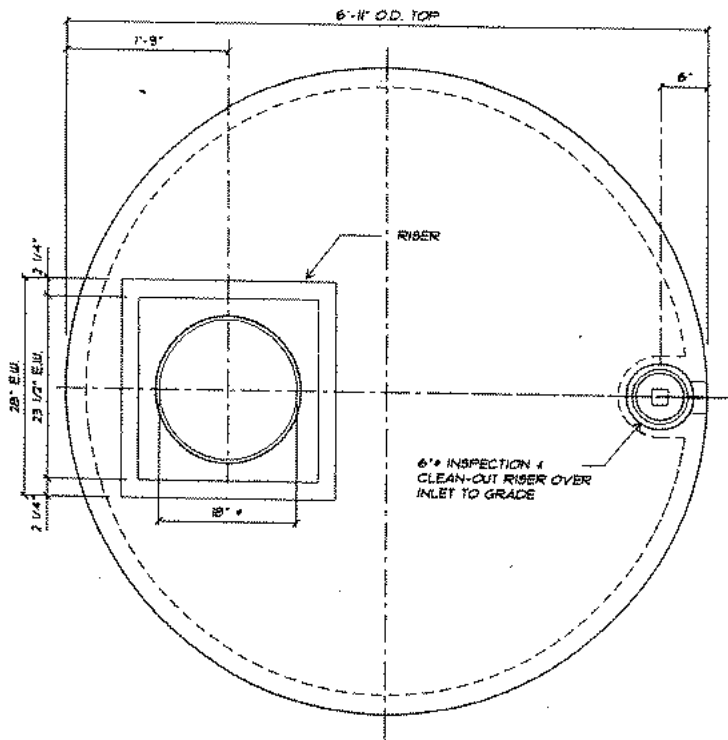


- 1 TANK TO BE PLACED ON LEVEL NATIVE MATERIAL WITH NO PROTRUDING ROCKS. OPTIONAL 2" SAND LEVELING COURSE OR 4" OF 3/4"-Ø COMPACTED ROCK LEVELING COURSE.
- 2 REINFORCED CONCRETE RISER AND LID CAP. 6" RISER INCREMENTS FROM 12" MIN TO 36" MAX.
- 3 1/4" STEEL LID WITH METAL PRIMER. SEE DETAIL. ATTACH TO CONCRETE RISER CAP WITH 4- 1/4" x 5.5. BOLTS IN THREADED PLASTIC CONCRETE INSERTS BY CONNECTING SYSTEMS, INC.
- 4 4" TYLER 5V4 NEOPRENE (ASTM C-564) COLLAR CAST INTO CONCRETE.
- 5 6" TYLER 5V6 NEOPRENE (ASTM C-564) COLLAR CAST INTO CONCRETE.
- 6 SEAL RISER TO TANK AND RISER CAP TO RISER WITH 3/4" x 3/4" CONTINUOUS BUTYL CAULK AROUND EACH. CON-SEAL CS101 OR EQUAL.
- 7 LID SEAL. 5/16" THICK SPONGE WEATHERSTRIP WITH ADHESIVE BY AUVECO. WEATHERSTRIP SHEET TO COVER COMPLETE UNDERSIDE OF STEEL LID.
- 8 ORENCO SCREENED PVC VAULT 5V1548 WITH POLYETHYLENE SCREEN BY ORENCO SYSTEMS, INC. OR APPROVED ALTERNATE.
- 9 LEVEL CONTROL FLOAT ASSEMBLY.
- 10 2" GATE VALVE.
- 11 2" PVC UNION.
- 12 NYLON ROPE FOR PUMP REMOVAL.
- 13 WATERTIGHT ELECTRICAL CONNECTION BOX.
- 14 SEAL ELECTRICAL CONDUIT AND PRESSURE PIPE PENETRATIONS TO RISER WITH CONSPEC ALL-PATCH CONCRETE PATCHING MORTAR BY CONSPEC MANUFACTURING INC.
- 15 USE 4" PVC SCHEDULE 40 INLET PIPE WITHIN TANK EXCAVATION LIMITS.

1500 GAL
DOSING SEPTIC TANK
SECTIONS

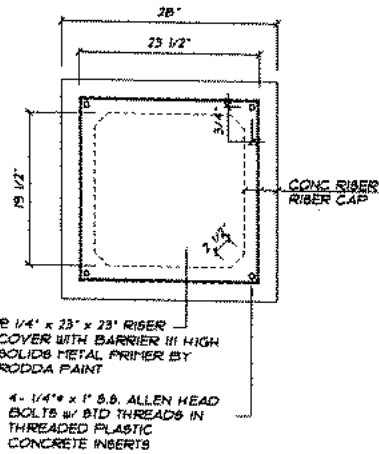
MICHAELS'
PRECAST CONCRETE
BORING, OREGON
35175 S.E. HWY 211
(503) 668-4073

DATE	11/01/01
PROJECT	01-235
DRAWN	RW
CHECKED	
SHEET NUMBER	
2A	



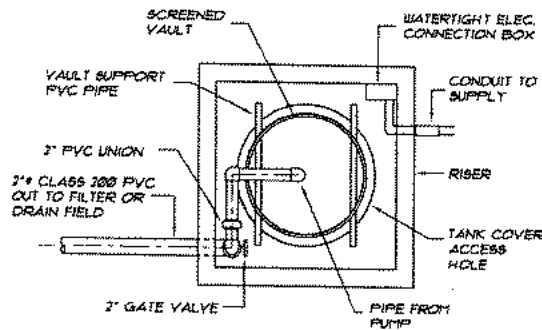
COVER PLAN

3/4" x 1'-0"



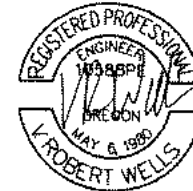
RISER LID PLAN

3/4" x 1'-0"



PUMP APPARATUS PLAN

3/4" x 1'-0"

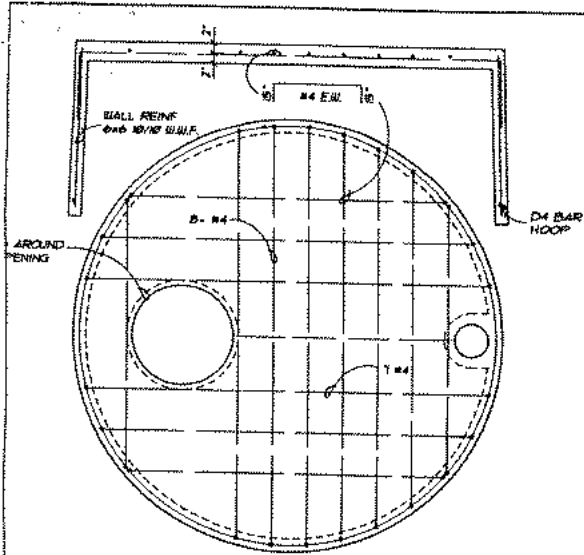


RENEWAL 06-30-02

**1500 GAL
DOSING SEPTIC TANK
COVER PLAN**

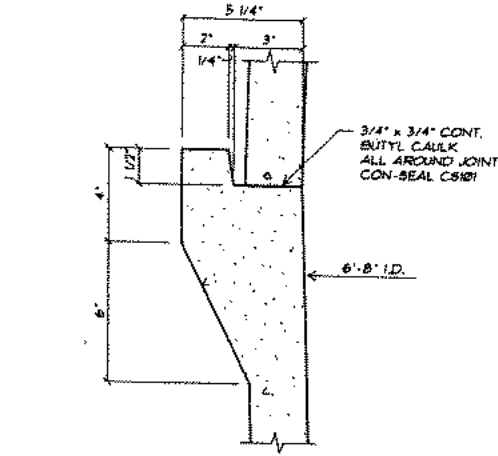
MICHAELS'
PRECAST CONCRETE
BORING, OREGON
55175 S.E. HWY 211
(503) 688-4073

DATE	11/01/01
PROJECT	01-235
DESIGNER	RW
CHECKER	
SHEET NUMBER	3



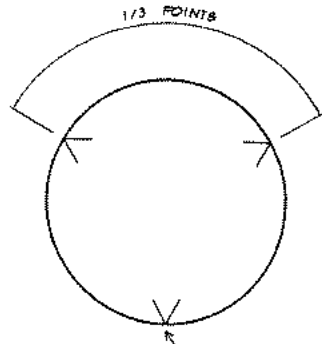
COVER REINFORCING

NTB

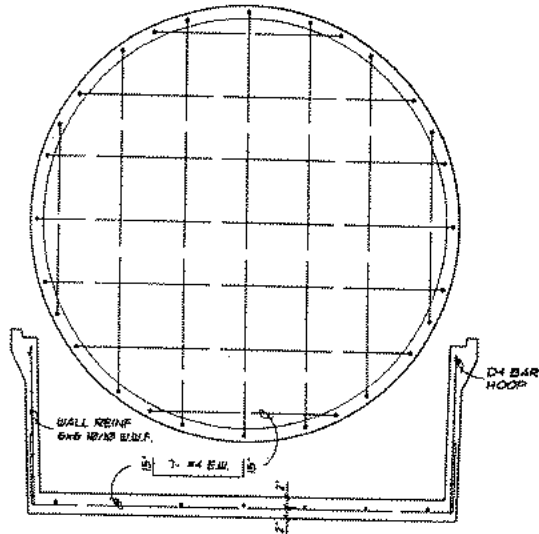


FIELD JOINT DETAIL

NTB

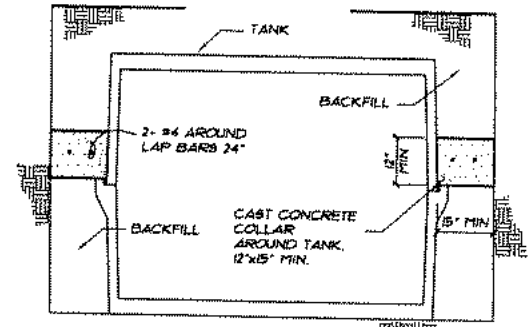
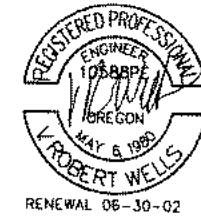


TANK LIFT POINTS



BOTTOM REINFORCING

NTB



IN AREAS WHERE HIGH GROUND WATER OCCURS CONSTRUCT CONCRETE HOLD DOWN COLLAR AROUND TANK.

HYDROSTATIC UPLIFT HOLD DOWN

NTB

**1500 GAL
DOSING SEPTIC TANK
DETAILS**

MICHAELS'
PRECAST CONCRETE
BORING, OREGON

35175 S.E. HWY 211
(503) 688-4073

DATE	11/01/01
PROJECT	01-235
DESIGNER	RW
CHECKER	
SHEET NUMBER	4