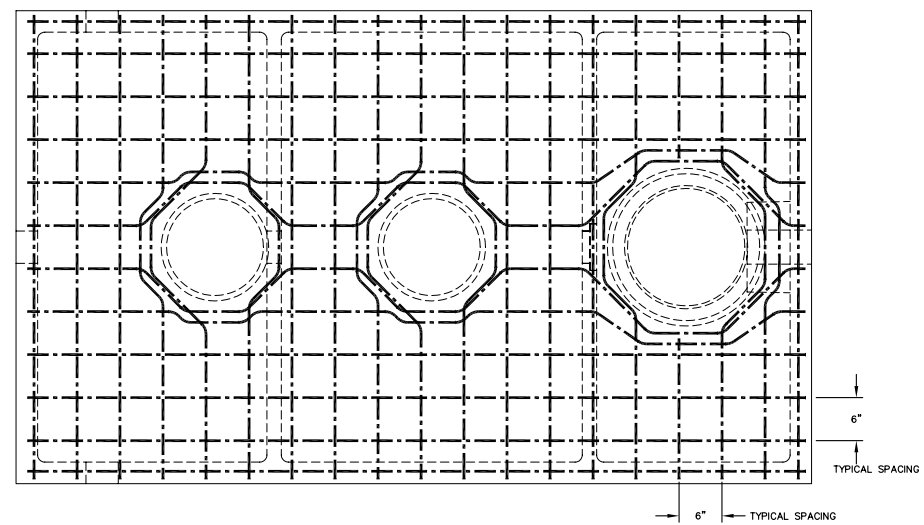


MAINTAIN THE REBAR CONFIGURATION ON THE INLET END SHOWN IN LARGE DASHED CIRCLES FROM THE TOP RIM OF THE TANK DOWN 4 FEET. BELOW THAT, HORIZONTAL REBAR MAY BE CENTERED IN THE WALLS.

PLAN VIEW SECTION, BOTTOM TANK

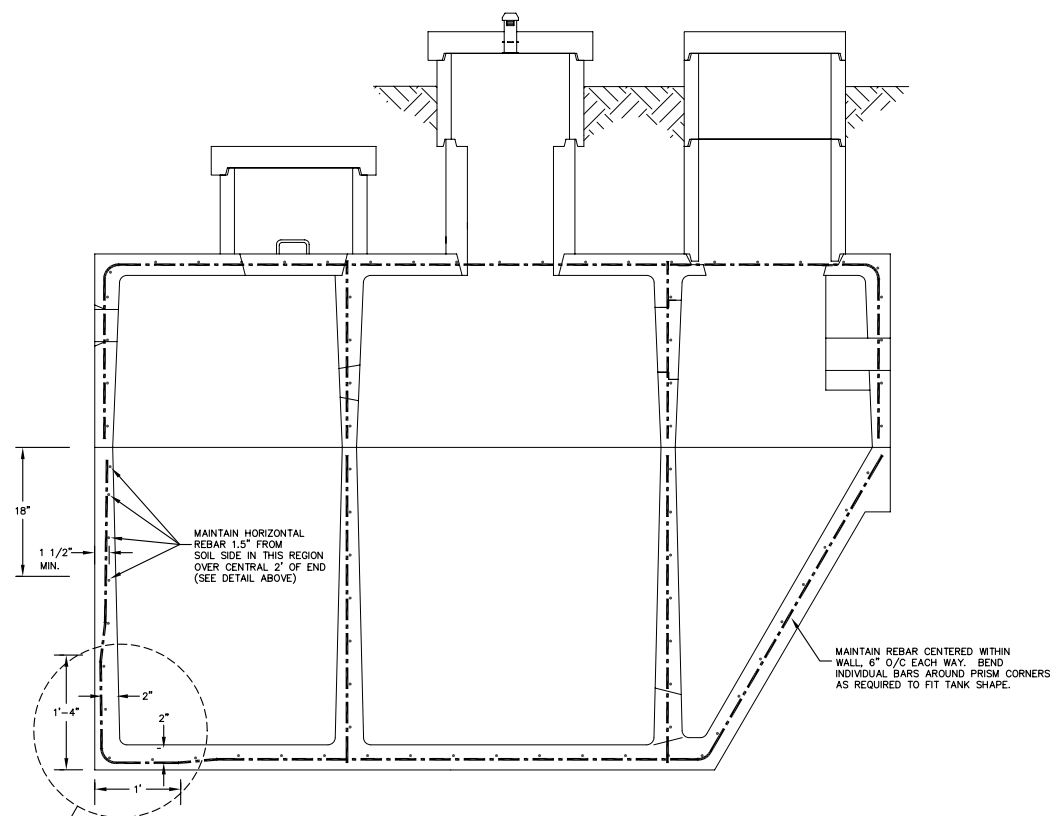
SCALE: 1" = 1'

MAINTAIN THE REBAR CONFIGURATION ON THE OUTLET END SHOWN IN LARGE DASHED CIRCLES FROM THE TOP RIM OF THE TANK DOWN 3 FEET. BELOW THAT, HORIZONTAL REBAR MAY BE CENTERED IN THE WALLS.



REBAR IN TOP TANK LID

SCALE: 1" = 1'

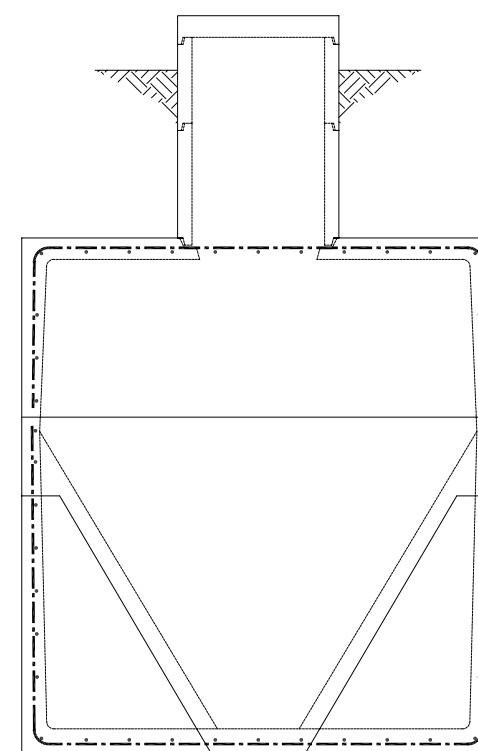


MAINTAIN REBAR 2" FROM INSIDE OF TANK IN THIS DIMENSIONED REGION. CENTER REBAR WITHIN WALL ELSEWHERE.

GENERAL LONGITUDINAL SECTION

SCALE: 1" = 1'

MAINTAIN REBAR CENTERED WITHIN WALL. 6" O/C EACH WAY. BEND INDIVIDUAL BARS AROUND PRISM CORNERS AS REQUIRED TO FIT TANK SHAPE.



GENERAL TRANSVERSE SECTION

SCALE: 1" = 1'

NOTE:
ALL REBAR IS #3 GRADE 40 6" O/C EACH WAY, CENTERED IN WALL UNLESS OTHERWISE NOTED.
CONCRETE IS TO BE 3000 PSI MINIMUM, 28 DAYS. SUPER-PLASTICIZER RECOMMENDED.



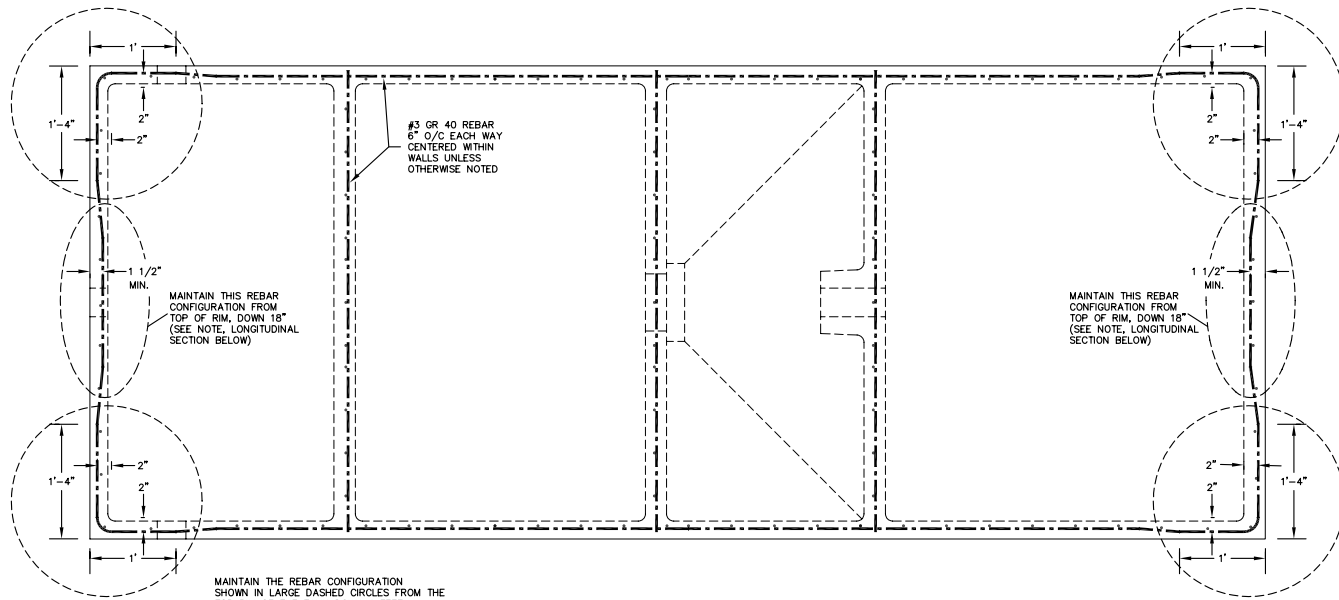
EXPIRES: 12-31-2006

MALCOLM W. RANDALL, P.E.
CONSULTING ENGINEERING
P.O. BOX 218, MILTON-FREEWATER, OR 97862
PHONE: (541) 566-2405 FAX: (541) 566-3332

STRUCTURAL REVIEW, 7006
NORWECO
220 REPUBLIC ST.
NORWALK, OH

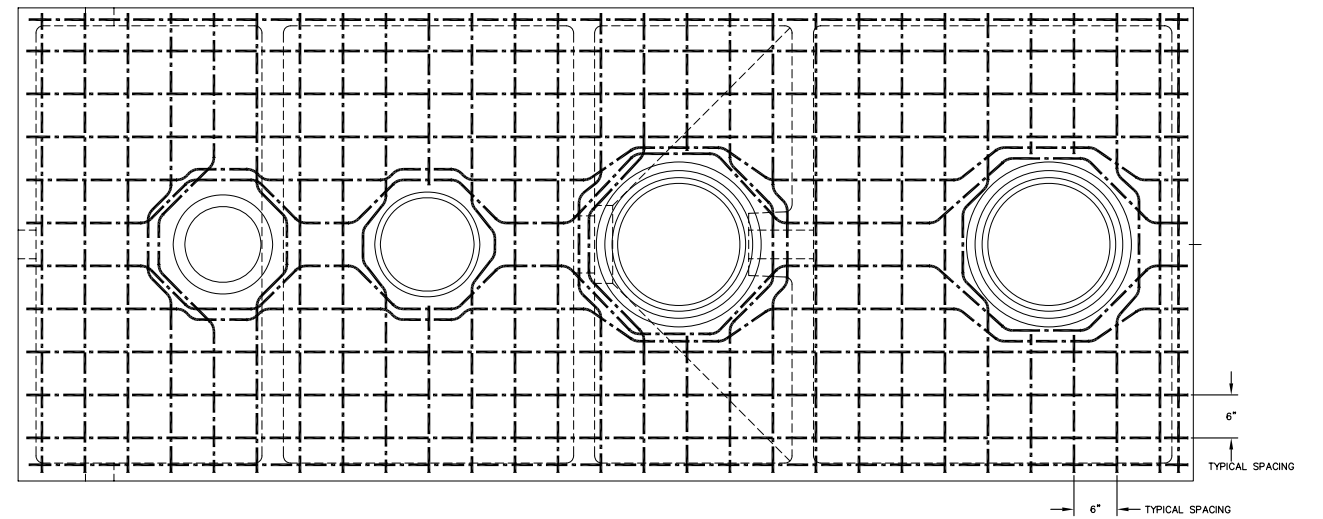
1 OF 1

H:\ENGINEERING\Projects\Singular Structural Review\7027\7027TANK.DWG, 8/23/2006 11:18:16 AM, Adobe PDF, 126.7907



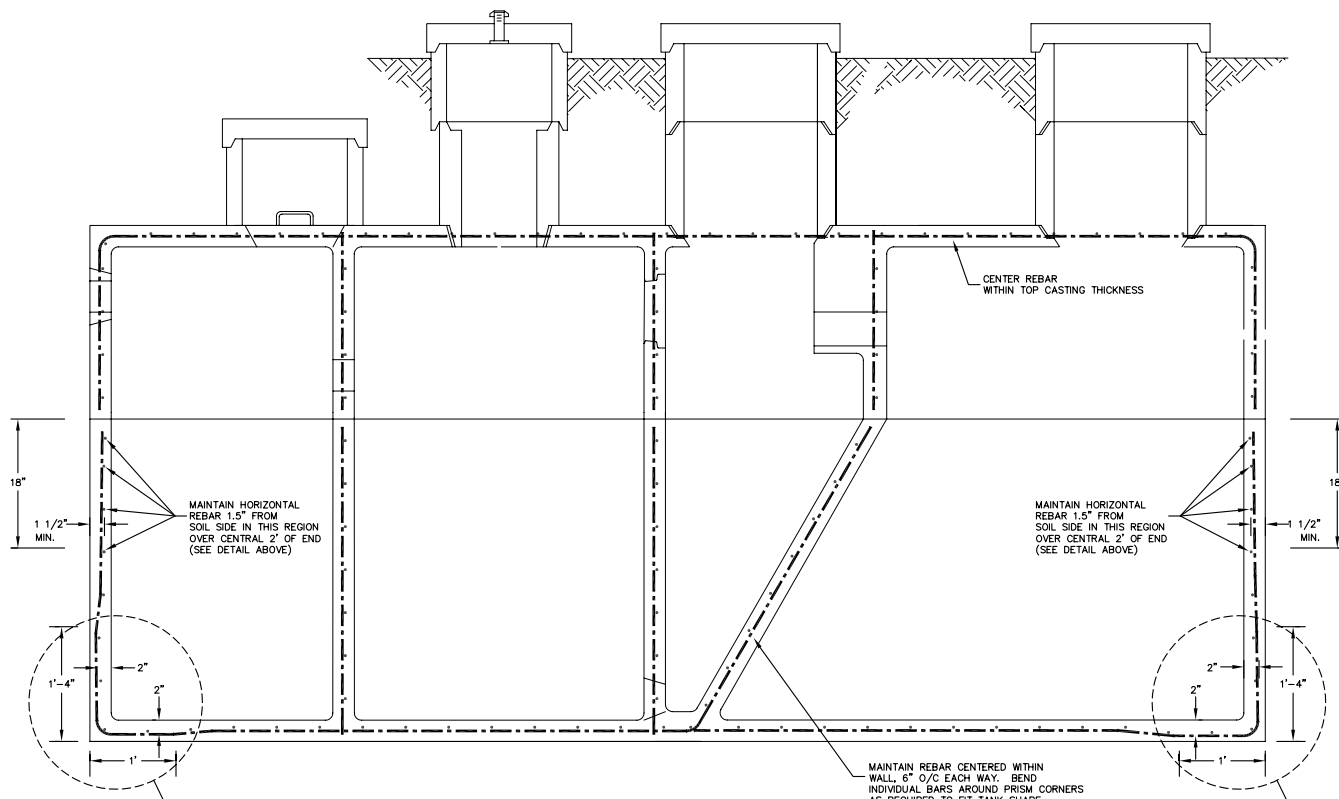
PLAN VIEW SECTION, BOTTOM TANK

SCALE: 1" = 1'



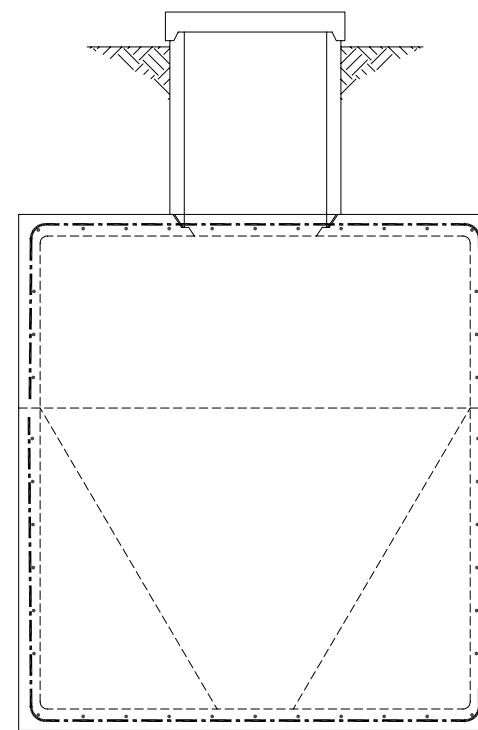
REBAR IN TOP TANK LID

SCALE: 1" = 1'



GENERAL LONGITUDINAL SECTION

SCALE: 1" = 1'



GENERAL TRANSVERSE SECTION

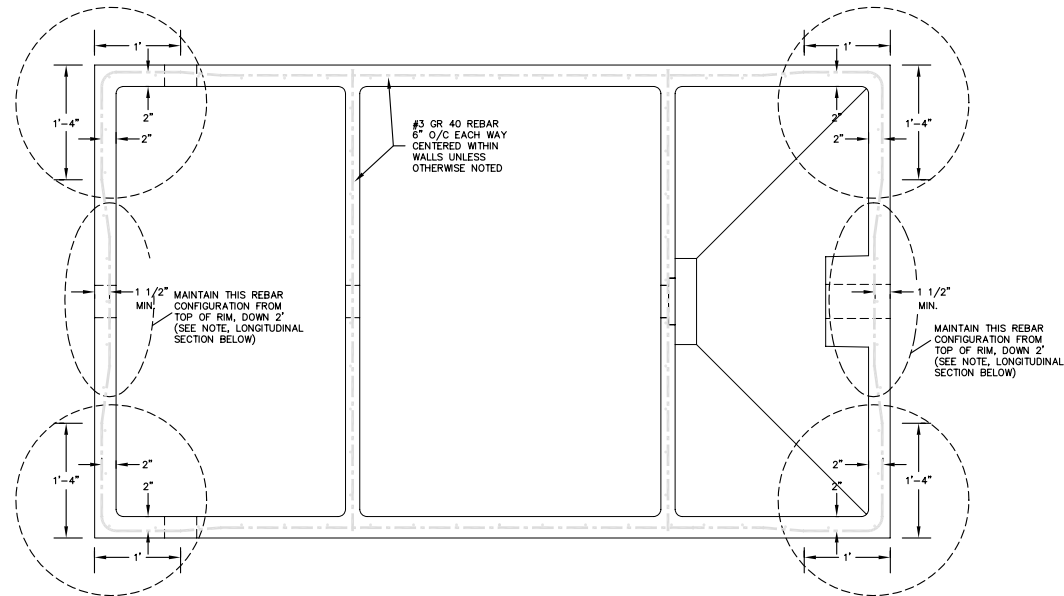
SCALE: 1" = 1'

NOTE:
 ALL REBAR IS #3 GRADE 40
 6" O/C EACH WAY, CENTERED IN WALL
 UNLESS OTHERWISE NOTED
 CONCRETE IS TO BE 3000 PSI
 MINIMUM, 28 DAYS. SUPER-
 PLASTICISER RECOMMENDED.



MALCOLM W. RANDALL, P.E.
 CONSULTING ENGINEERING
 P.O. BOX 218, MILTON-FREEWATER, OR 97862
 PHONE: (541) 566-2405 FAX: (541) 566-3332

STRUCTURAL REVIEW, 7027
 NORWECO
 220 REPUBLIC ST.
 NORWALK, OH

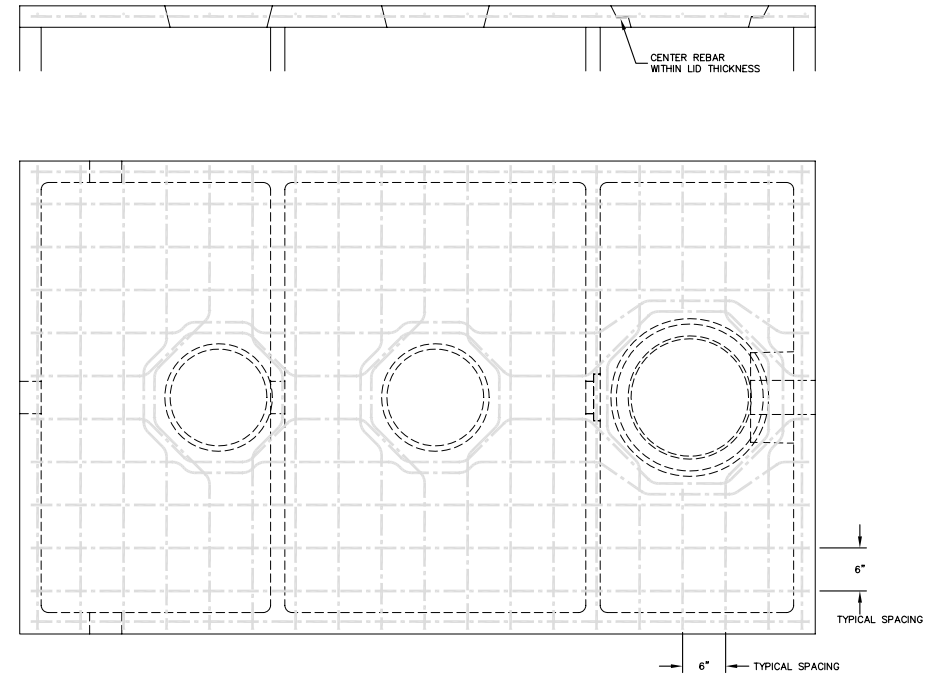


PLAN VIEW SECTION

SCALE: 1" = 1'

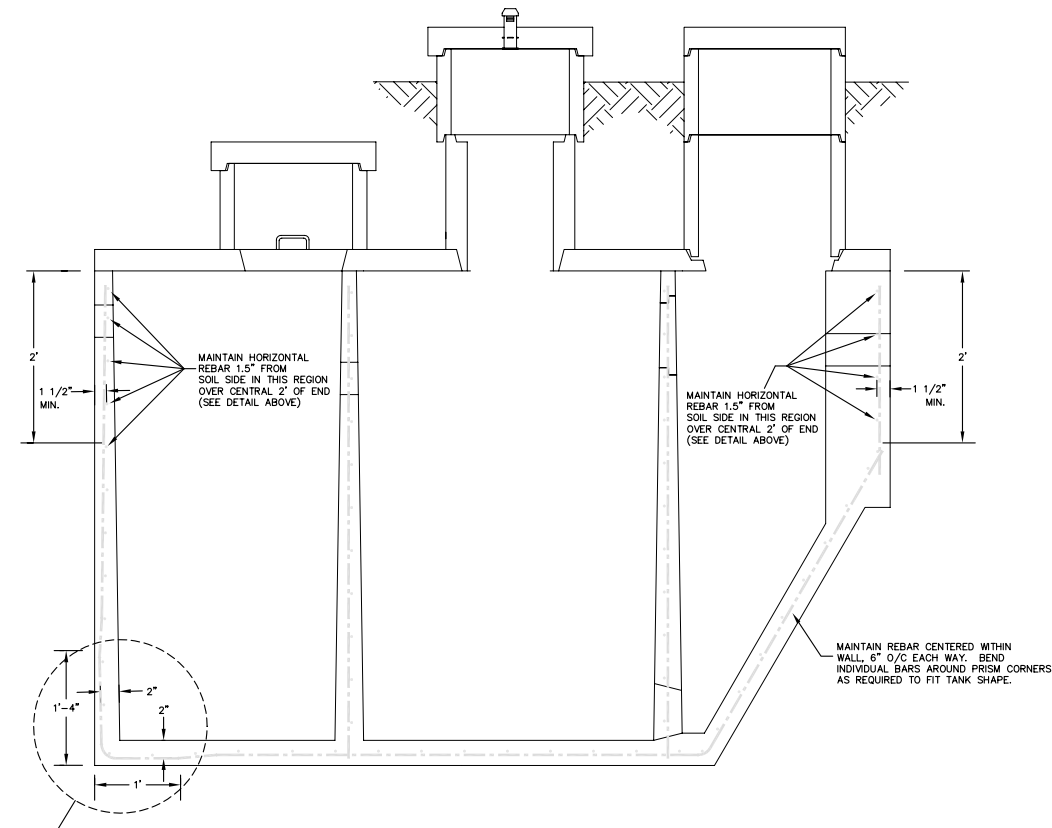
MAINTAIN THE REBAR CONFIGURATION ON THE INLET END SHOWN IN LARGE DASHED CIRCLES FROM THE TOP RIM OF THE TANK DOWN 4 FEET. BELOW THAT, HORIZONTAL REBAR MAY BE CENTERED IN THE WALLS.

MAINTAIN THE REBAR CONFIGURATION ON THE OUTLET END SHOWN IN LARGE DASHED CIRCLES FROM THE TOP RIM OF THE TANK DOWN 3 FEET. BELOW THAT, HORIZONTAL REBAR MAY BE CENTERED IN THE WALLS.



LID

SCALE: 1" = 1'

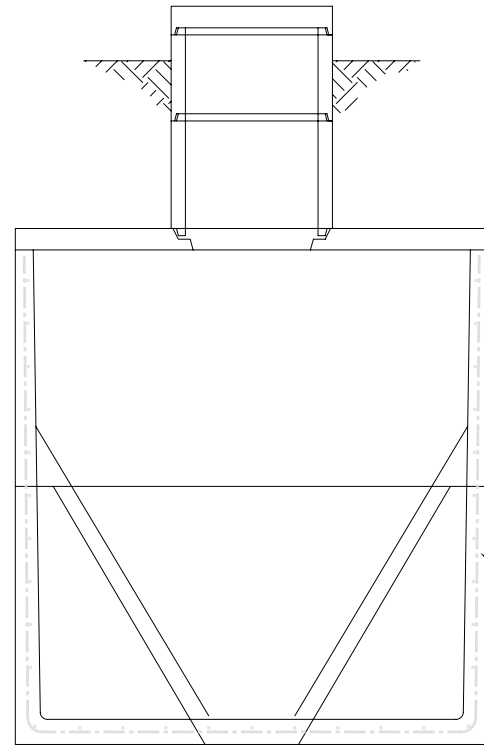


GENERAL LONGITUDINAL SECTION

SCALE: 1" = 1'

MAINTAIN REBAR 2" FROM INSIDE OF TANK IN THIS DIMENSIONED REGION. CENTER REBAR WITHIN WALL ELSEWHERE.

MAINTAIN REBAR CENTERED WITHIN WALL, 6" O/C EACH WAY. BEND INDIVIDUAL BARS AROUND PRISM CORNERS AS REQUIRED TO FIT TANK SHAPE.



GENERAL TRANSVERSE SECTION

SCALE: 1" = 1'

ALL REBAR TO BE #3 OR #4 CENTERED WITHIN WALL UNLESS OTHERWISE NOTED. SPACING TO BE 6" O/C EACH WAY.

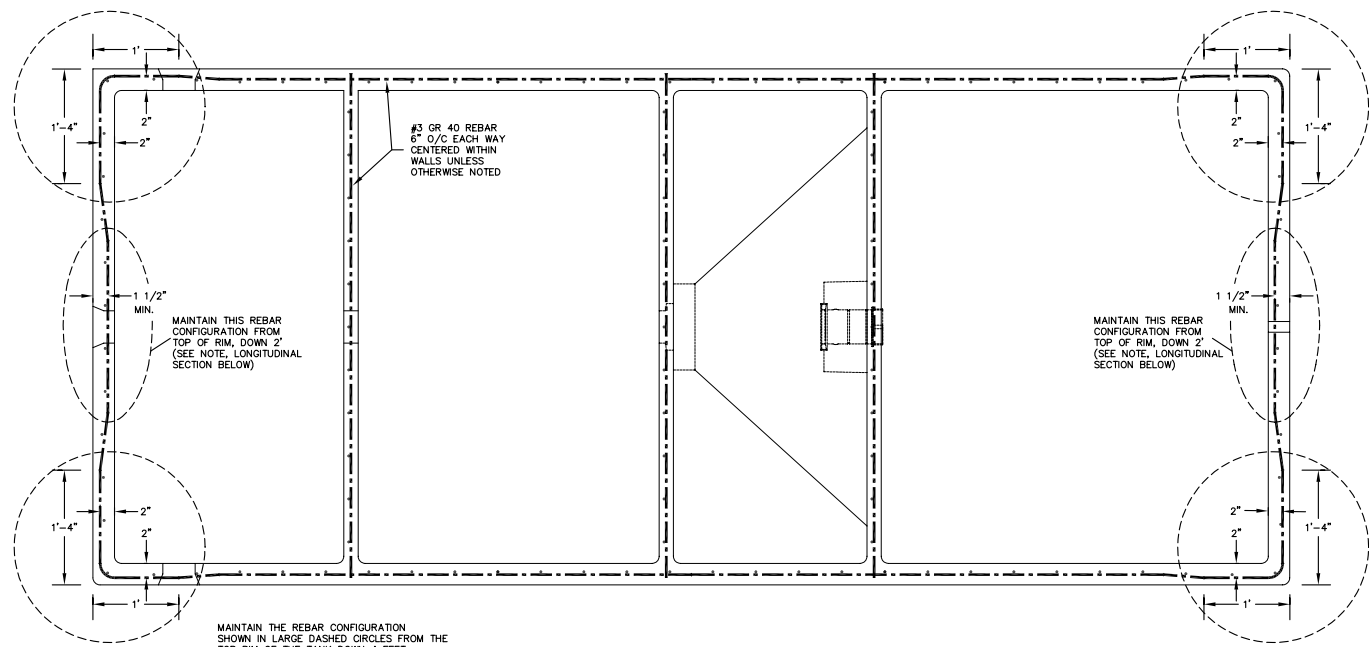
NOTE:
ALL REBAR IS #3 GRADE 40 UNLESS OTHERWISE NOTED
CONCRETE IS TO BE 3000 PSI MINIMUM, 28 DAYS. SUPER-PLASTICIZER RECOMMENDED.



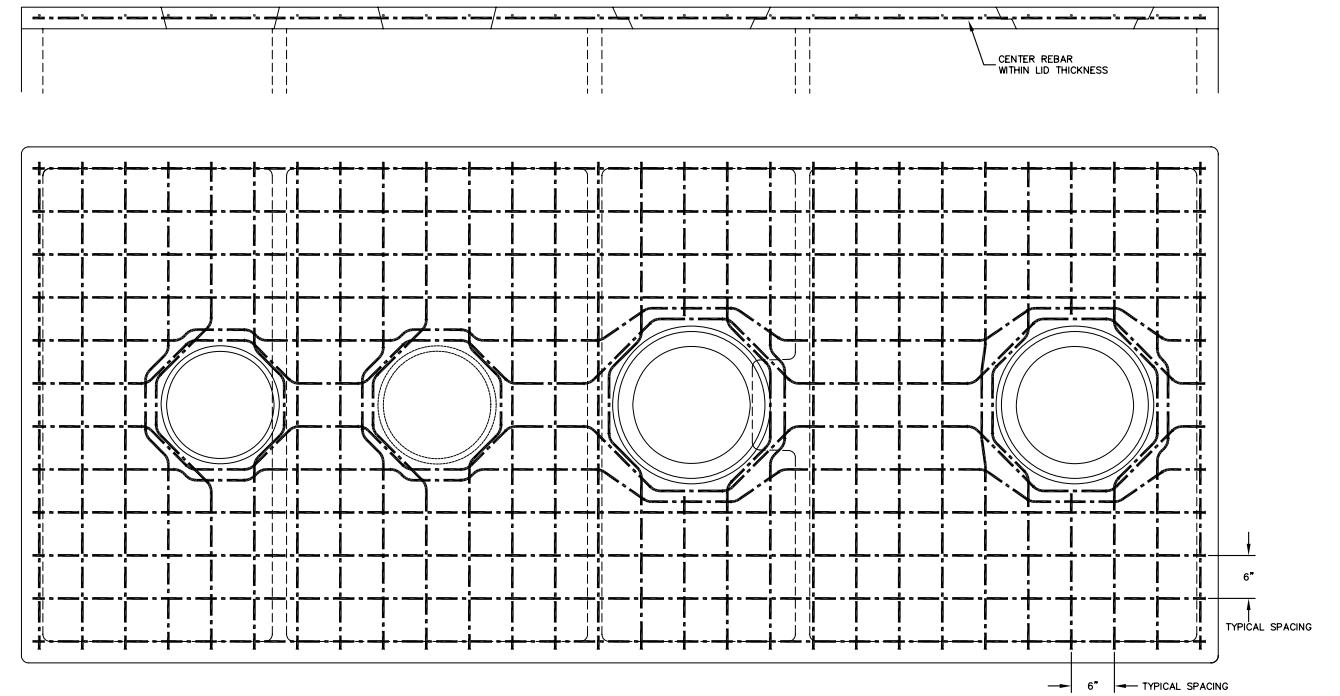
EXPIRES: 12-31-2006

MALCOLM W. RANDALL, P.E.
CONSULTING ENGINEERING
P.O. BOX 218, MILTON-FREEWATER, OR 97862
PHONE: (541) 566-2405 FAX: (541) 566-3332

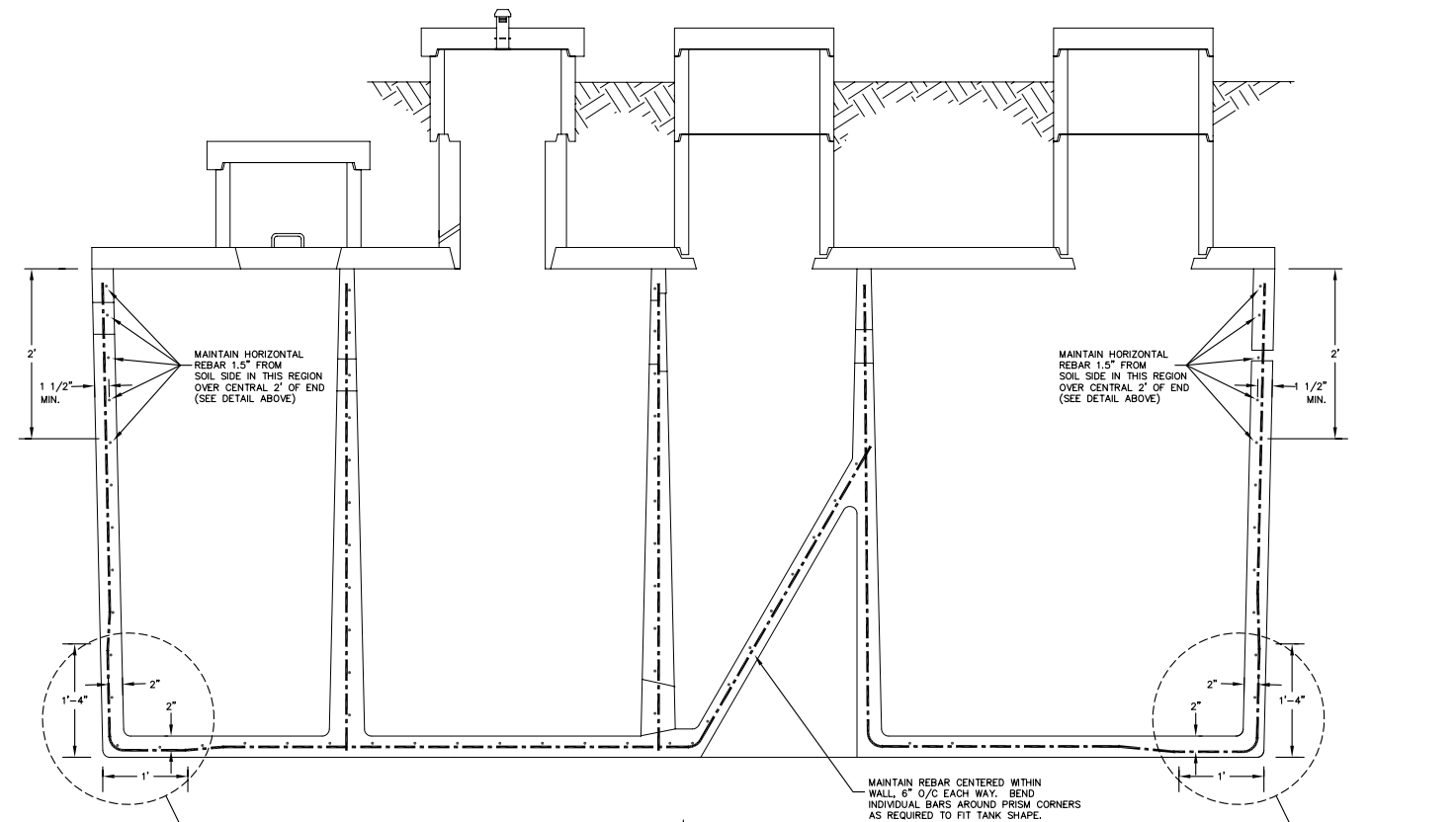
STRUCTURAL REVIEW, 9665
NORWECO
220 REPUBLIC ST.
NORWALK, OH



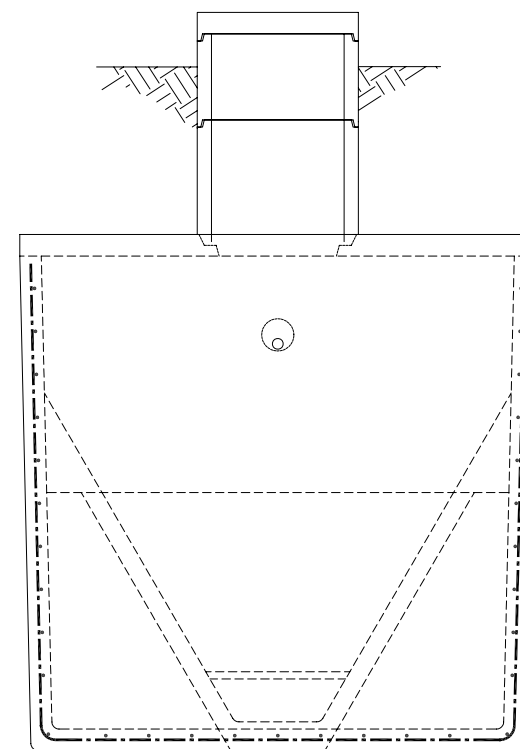
PLAN VIEW SECTION
SCALE: 1" = 1'



LID
SCALE: 1" = 1'



GENERAL LONGITUDINAL SECTION
SCALE: 1" = 1'



GENERAL TRANSVERSE SECTION
SCALE: 1" = 1'

NOTE:
ALL REBAR IS #3 GRADE 40
UNLESS OTHERWISE NOTED
CONCRETE IS TO BE 3000 PSI
MINIMUM, 28 DAYS, SUPER-
PLASTICISER RECOMMENDED.

ALL REBAR TO BE
#3 GR 40 CENTERED
WITHIN WALL UNLESS
OTHERWISE NOTED.
SPACING TO BE 6" O/C
EACH WAY.



MALCOLM W. RANDALL, P.E.
CONSULTING ENGINEERING
P.O. BOX 218, MILTON-FREEWATER, OR 97862
PHONE: (541) 566-2405 FAX: (541) 566-3332

STRUCTURAL REVIEW, 9906
NORWECO
220 REPUBLIC ST.
NORWALK, OH