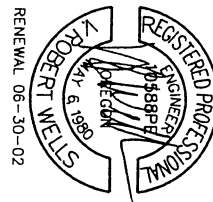


# 1500 GALLON DOSING-SEPTIC DOUBLE TANK SYSTEM

TANK CAPACITY			
	MAIN TANK	PUMP TANK	TOTAL
RESERVE CAPACITY	180 GAL	85 GAL	265 GAL
LIQUID CAPACITY	1072 GAL	503 GAL	1575 GAL
TOTAL VOLUME	1252 GAL	588 GAL	1840 GAL
MAIN TANK: 21.2 GAL/PER INCH			
PUMP TANK: 10.0 GAL/PER INCH (AVERAGE)			

**RECEIVED**  
 REGISTERED PROFESSIONAL ENGINEER  
 Dept. of Environmental Quality  
 Oregon



RENEWAL 06-30-02

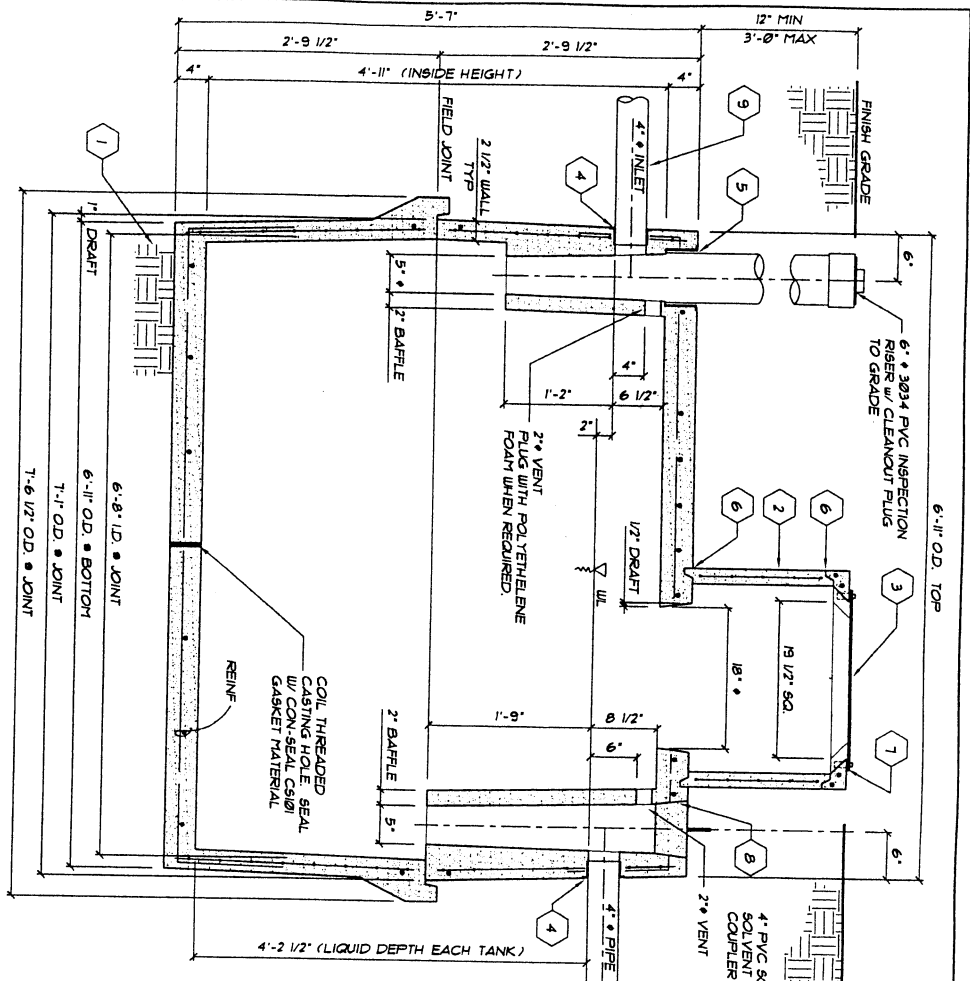
## GENERAL NOTES:

1. THE SEPTIC TANK AS SHOWN COMPLEIES WITH THE REQUIREMENTS OF THE STATE OF OREGON, DEPARTMENT OF ENVIRONMENTAL QUALITY, "ON-SITE SEWAGE DISPOSAL RULES" DATED APRIL 1, 1995.
2. INLET AND OUTLET SEAL FOR EXTERIOR PIPING SHALL BE 4" SVA NEOPRENE COLLAR CAST INTO CONCRETE CONFORMING TO ASTM C-564. BY TYLER.
3. CONCRETE SHALL ATTAIN A MINIMUM 7-DAY COMPRESSIVE STRENGTH OF 3000 P.S.I. AND A 28-DAY COMPRESSIVE STRENGTH OF 5000 P.S.I. MINIMUM CEMENT CONTENT SHALL BE 7 SACKS PER CU. YD. MAXIMUM SLUMP 3 INCHES.
4. REINFORCING BARS SHALL CONFORM TO ASTM A615 GRADE 40 (fy = 40,000 P.S.I.) WELDED WIRE FABRIC (W.W.M.) SHALL BE ASTM A185.
5. WALL REINFORCING SHALL BE AS NOTED ON PLANS. TOP AND BOTTOM REINFORCING SHALL BE AS INDICATED ON THE DRAWINGS. ADDITIONAL REINFORCING TO BE PROVIDED FOR TEMPERATURE/SHRINKAGE CRACKING AND IMPACT/HANDLING LOADS BY ADDING 1.6 LB. PER CU. YD. OF "FORTIA FIBRE" SYNTHETIC FIBER REINFORCING.
6. TANKS SHALL BE EQUIPED WITH WATER TIGHT RISERS TO BRING ACCESS TO OR ABOVE FINISHED GRADE. 6" RISER INCREMENTS FROM 12" MINIMUM TO 36" MAXIMUM.
7. GROUT SOLID ALL UNUSED KNOCKOUTS AND SEAL ALL TANK PENETRATIONS WITH CONSPEC ALL-PATCH CONCRETE PATCHING MORTAR BY CONSPEC MANUFACTURING INC. JOINTS WITH 3/4" x 3/4" CONTINUOUS BUTYL CAULK. CON-SEAL CS101 OR EQUAL.
8. SEAL RISERS TO TANK TOP, RISER CAPS TO RISERS AND TANK SECTIONS AT FIELD JOINTS WITH 3/4" x 3/4" CONTINUOUS BUTYL CAULK. CON-SEAL CS101 OR EQUAL.
9. TEST TANKS FOR WATERTIGHTNESS. AFTER TANKS ARE INSTALLED PLUG ALL INLETS AND OUTLETS AND TEST TANKS BY FILLING EACH TANK TO A MINIMUM OF TWO (2) INCHES ABOVE THE POINT OF THE RISER CONNECTION TO THE TANK. THERE SHALL BE NO MORE THAN ONE (1) GALLON OF LEAKAGE IN A 24 HOUR PERIOD.
10. IN AREAS OF HIGH GROUND WATER THAT WILL CAUSE HYDROSTATIC UPLIFT OF THE TANK CONSTRUCT HYDROSTATIC UPLIFT HOLD DOWN AROUND TANK. SEE DETAIL.

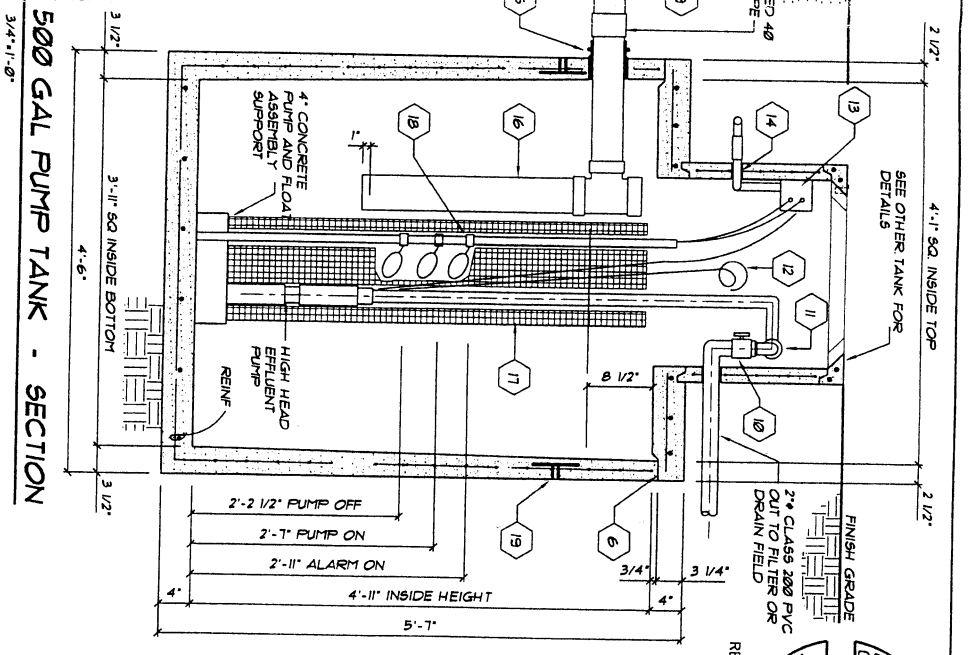
DATE	11/01/01
REVISION	01-235
DESIGNED	RW
CHECKED	
SHEET NUMBER	1

<b>MICHAELS'</b> PRECAST CONCRETE 35175 S.E. HWY 211 (503) 668-4073	BORING, OREGON	<b>1500 GAL DOSING SEPTIC DOUBLE TANK SYSTEM COVER SHEET</b>
--	----------------	--





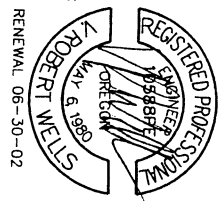
1000 GAL TANK SECTION  
3/4" = 1'-0"



500 GAL PUMP TANK - SECTION  
3/4" = 1'-0"

KEYNOTES: SEE SHEET 4.

**RECEIVED**  
MAY 25 2001  
Water Quality Division  
Dept. of Environmental Quality



**MICHAELS' PRECAST CONCRETE**

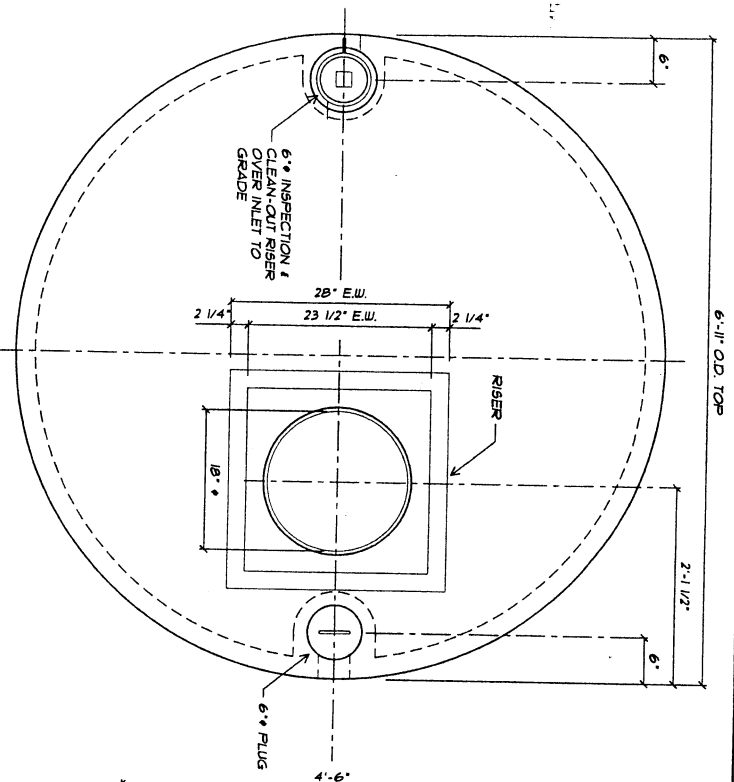
35175 S.E. HWY 211      BORING, OREGON  
(503) 668-4073

**1500 GAL DOSING SEPTIC DOUBLE TANK SYSTEM SECTIONS**

DATE	11/01/01
PROJECT	01-235
DRAWN	RW
CHECKED	
SHEET NUMBER	2A

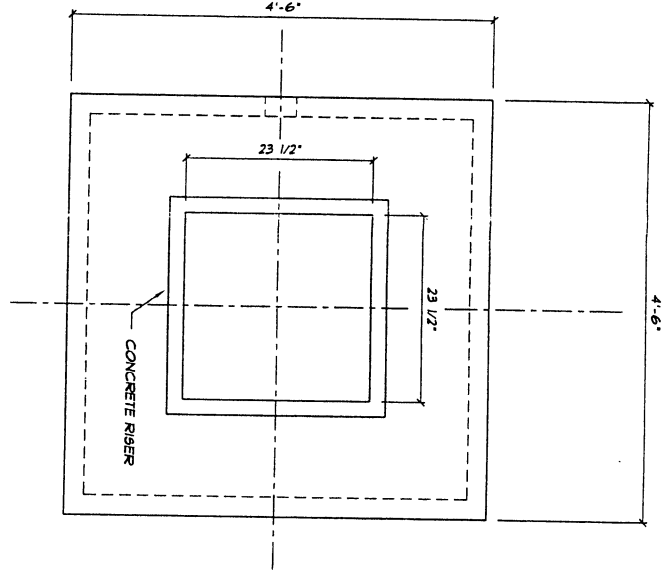
**SEPTIC TANK - COVER PLAN**

3/4"-1'-0"

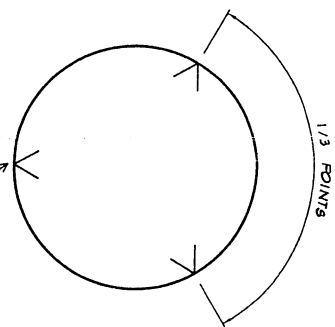


**PUMP TANK - COVER PLAN**

3/4"-1'-0"

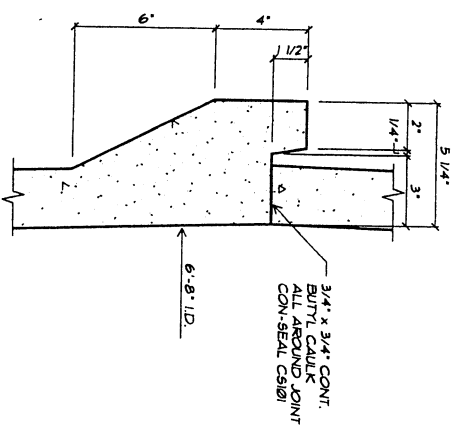


**TANK LIFT POINTS**

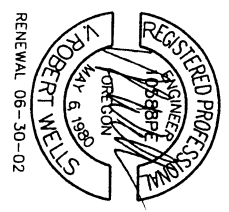


**FIELD JOINT DETAIL**

NTS



**RECEIVED**  
 MAY 6 2002  
 Water Quality Division  
 Dept. of Environmental Quality



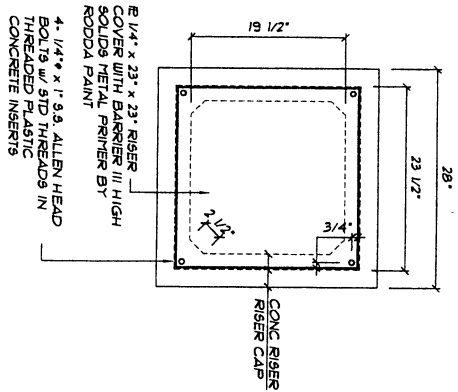
**MICHAELS' PRECAST CONCRETE**  
 35175 S.E. HYWY 211 BORING, OREGON (503) 668-4073

**1500 GAL DOSING SEPTIC DOUBLE TANK SYSTEM COVER PLAN**

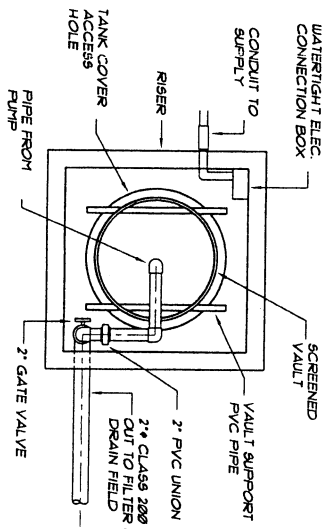
DATE: 11/01/01  
 PROJECT: 01-235  
 DRAWN: RW  
 CHECKED: RW  
 SHEET NUMBER: 3

# KEYNOTES:

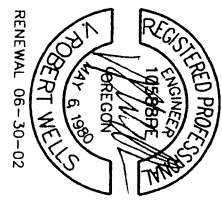
- 1 TANK TO BE PLACED ON LEVEL NATIVE MATERIAL WITH NO PROTRUDING ROCKS. OPTIONAL 2" SAND LEVELING COURSE OR 4" OF 3/4" Ø COMPACTED ROCK LEVELING COURSE.
- 2 REINFORCED CONCRETE RISER AND LID CAP. 6" RISER INCREMENTS FROM 12" MIN TO 36" MAX.
- 3 1/4" STEEL LID WITH METAL PRIMER. SEE DETAIL. ATTATCH TO CONCRETE RISER CAP WITH 4 - 1/4" Ø 5.5. BOLTS IN THREADED PLASTIC CONCRETE INSERTS BY CONNECTING SYSTEMS, INC.
- 4 4" TYLER 9V4 NEOPRENE (A57M C-564) COLLAR CAST INTO CONCRETE.
- 5 6" TYLER 9V6 NEOPRENE (A57M C-564) COLLAR CAST INTO CONCRETE.
- 6 SEAL RISER TO TANK AND RISER CAP TO RISER WITH 3/4" x 3/4" CONTINUOUS BUTTL CAULK AROUND EACH. CON-SEAL C9101 OR EQUAL.
- 7 LID SEAL. 1/2" WIDE x 5/16" THICK SPONGE WEATHERSTRIP WITH ADHESIVE BY ADVECO. APPLY AROUND PERIMETER OF STEEL LID.
- 8 SEAL CONCRETE PLUG OVER OUTLET TO TANK WITH 3/4" x 3/4" CONTINUOUS BUTTL CAULK AROUND CON-SEAL C9101 OR EQUAL.
- 9 USE 4" PVC SCHEDULE 40 INLET AND OUTLET PIPE WITHIN TANK EXCAVATION LIMITS.
- 10 2" GATE VALVE.
- 11 2" PVC UNION.
- 12 NYLON ROPE FOR PUMP REMOVAL.
- 13 WATERTIGHT ELECTRICAL CONNECTION BOX.
- 14 SEAL ELECTRICAL CONDUIT AND PRESSURE PIPE PENETRATIONS TO RISER WITH CONSPREC ALL-PATCH CONCRETE PATCHING MORTAR BY CONSPREC MANUFACTURING INC.
- 15 4" CAST-A-SEAL PIPE TO TANK CONNECTOR BY PRESS-SEAL GASKET CORP. MATERIAL CONFORMING TO A57M C-923.
- 16 4" PVC PIPE AND FITTINGS.
- 17 POLYETHYLENE SCREEN BY ORENCO SYSTEMS, INC. OR APPROVED ALTERNATE.
- 18 LEVEL CONTROL FLOAT ASSEMBLY.
- 19 5/8" Ø FERREL LOOP INSERT DOWN 12" FROM TANK TOP. INSTALL IN 2 OPPOSITE FACES FOR LIFTING. NOT TO BE INSTALLED IN FACE WITH INLET PIPING.



**RISER LID PLAN**  
3/4" x 1'-0"



**PUMP APPARATUS PLAN**  
3/4" x 1'-0"



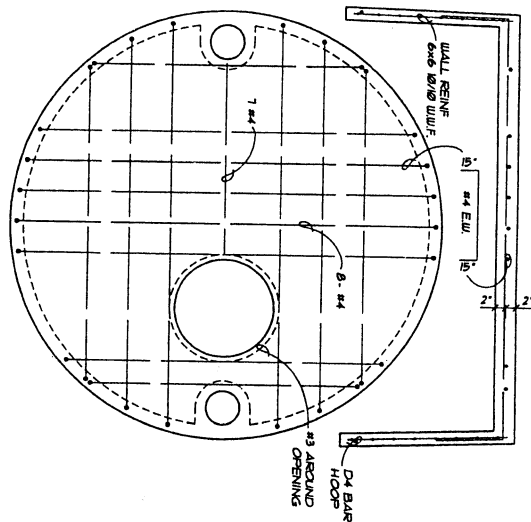
**RECEIVED**

Water Quality Division  
Dept. of Environmental Quality

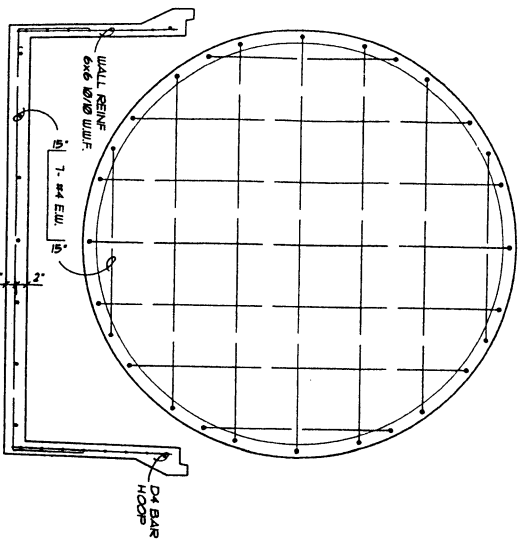
**1500 GAL DOSING SEPTIC DOUBLE TANK SYSTEM KEYNOTES / DETAILS**

**MICHAELS' PRECAST CONCRETE**  
35175 S.E. HWY 211  
BORING, OREGON  
(503) 668-4073

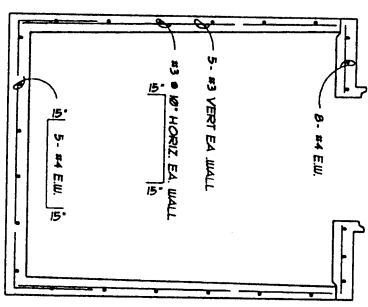
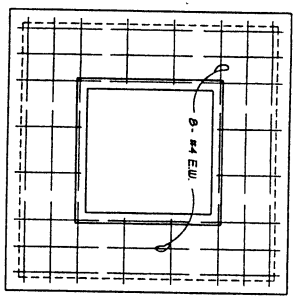
DATE	11/01/01
PROJECT	01-235
DRAWN	RW
CHECKED	
SHEET NUMBER	4



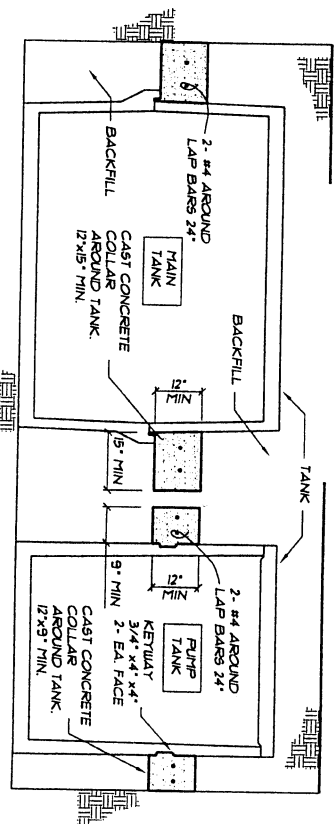
**COVER REINFORCING**  
NTS



**BOTTOM REINFORCING**  
NTS

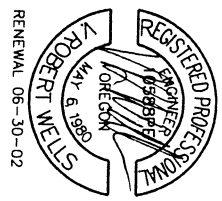


**PUMP TANK REINFORCING**  
NTS



**HYDROSTATIC UPLIFT HOLD DOWN**  
NTS

IN AREAS WHERE HIGH GROUND WATER OCCURS CONSTRUCT CONCRETE HOLD DOWN COLLAR AROUND TANKS.



RENEWAL 06-30-02

**RECEIVED**  
MAY 22 1980  
Western Quality Division  
Dept. of Environmental Quality

**MICHAELS' PRECAST CONCRETE**

35175 S.E. HWY 211  
BORING, OREGON  
(503) 668-4073

**1500 GAL DOSING SEPTIC DOUBLE TANK SYSTEM DETAILS**

DATE	11/01/01
PROJECT	01-235
DESIGNED	RW
CHECKED	
SHEET NUMBER	5