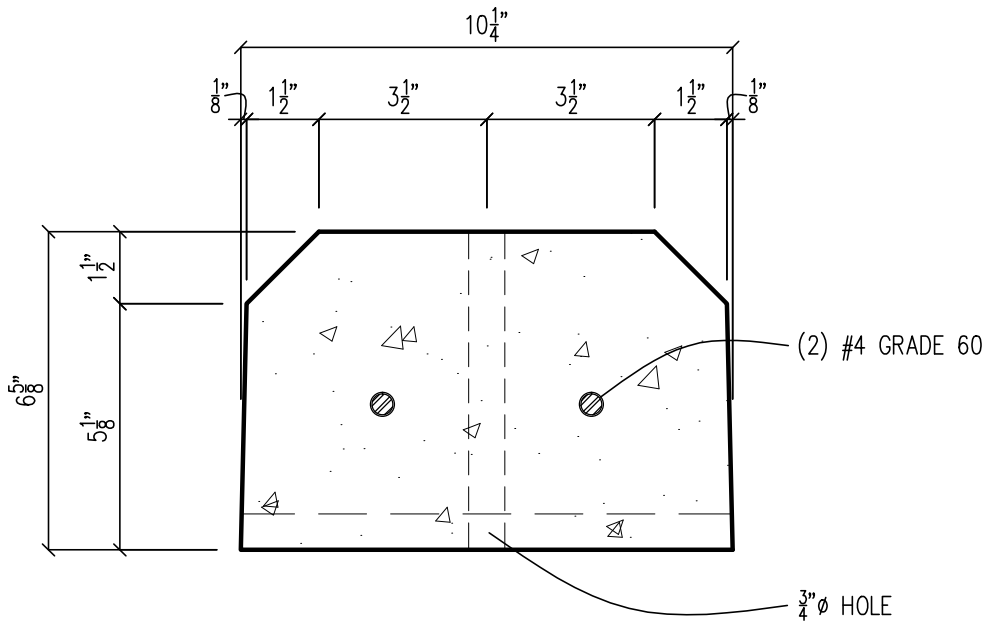


ELEVATION



SECTION

CONCRETE: 7 SACK GRAY W/ 3-6% AEA
 5000 PSI @ 28 DAYS
FINISH: EXPOSED SURFACES STEEL FORM
WEIGHT: 537 LBS EACH

Michaels
 PRECAST CONCRETE

35175 SE HWY 211
 BORING, OREGON 97009
 PHONE: 503-668-4073
 FAX: 503-668-7522
 WWW.MICHAELSPRECAST.COM

8' HD WHEEL STOP
 W/ SCUPPERS

DRAWN: 6/1/11

REV: