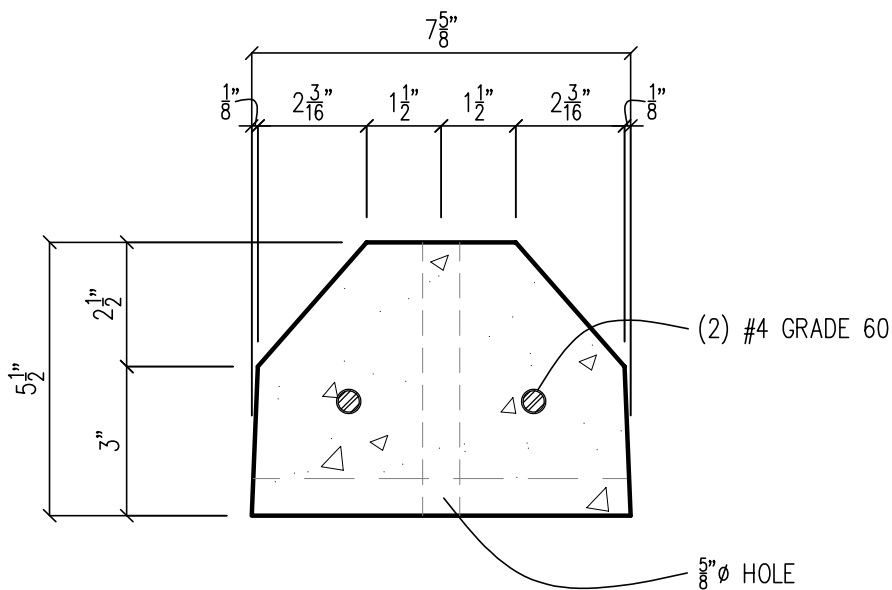


## ELEVATION



## SECTION

CONCRETE: 7 SACK GRAY W/ 3-6% AEA  
 5000 PSI @ 28 DAYS  
FINISH: EXPOSED SURFACES STEEL FORM  
WEIGHT: 220 LBS EACH

**Michaels**  
 PRECAST CONCRETE

35115 SE HWY 211  
 BORING, OREGON 97009  
 PHONE: 503-668-4073  
 FAX: 503-668-7522  
 WWW.MICHAELSPRECAST.COM

6' WHEEL STOP  
 W/ SCUPPERS

DRAWN: 6/1/11

REV: