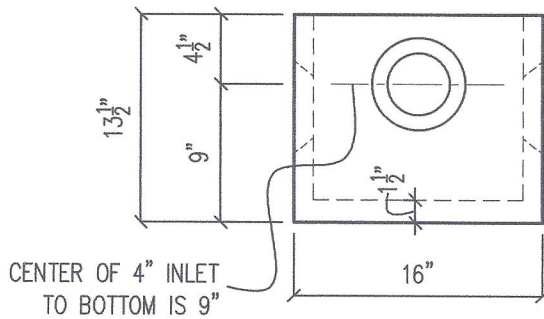
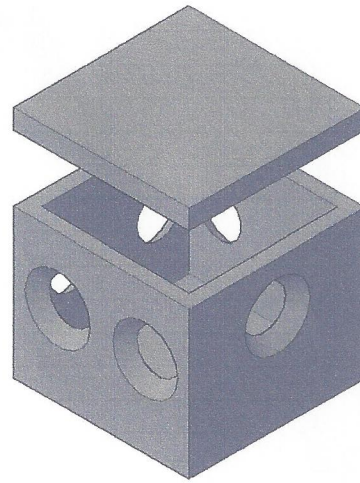
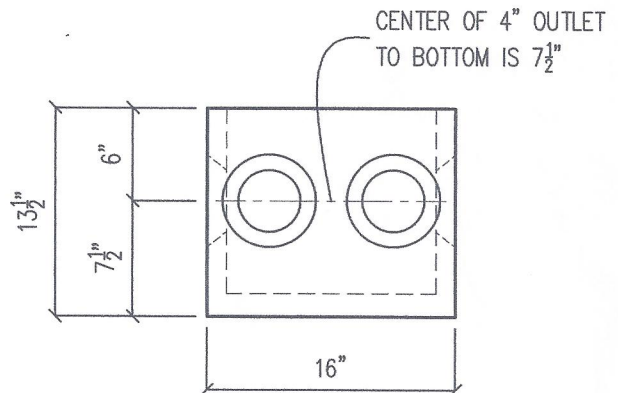


TOP VIEW



INLET VIEW



OUTLET VIEW

BOX WEIGHT = 110 LBS EACH
LID WEIGHT = 45 LBS EACH

Michaels
PRECAST CONCRETE

35175 SE HWY 211
BORING, OREGON 97009
PHONE: 503-668-4073
FAX: 503-668-7522
WWW.MICHAELSPRECAST.COM

EQUAL DISTRIBUTION BOX
W/ CONCRETE KNOCK OUTS

DRAWN: 1/5/12

REV: